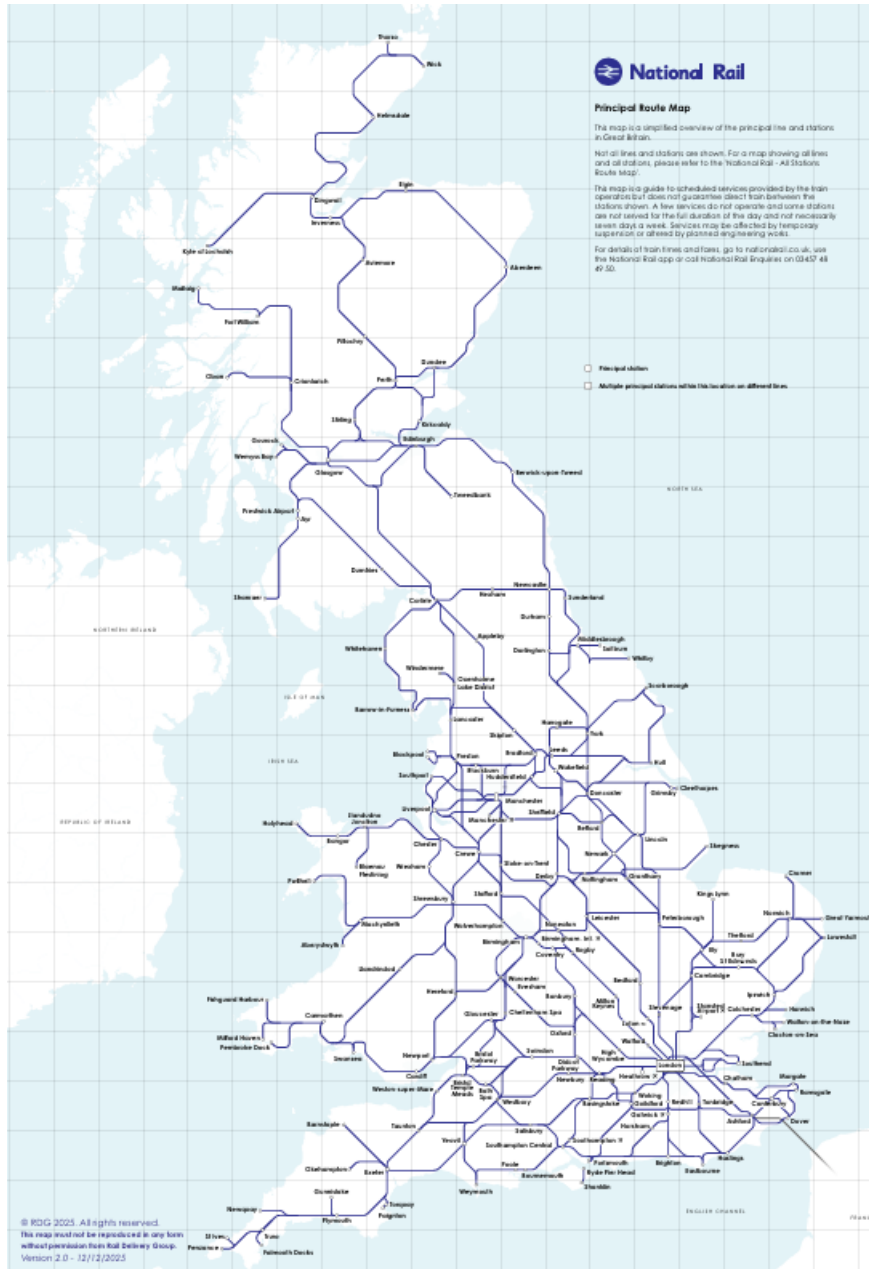


Guide for visitors to Great Britain using FIP facilities.

Guide pour les visiteurs à Grand Bretagne qui utilisent La Carte Internationale de réduction pour agents de chemin de fer (« La carte FIP »).

Anleitung für Besucher in Großbritannien mit FIP-Einrichtungen.

Guida per i visitatori in Gran Bretagna che utilizzano i servizi FIP.



Rail Delivery Group

Guide for visitors to Great Britain using FIP facilities

Contents

Introduction	8
Passenger Rail services in Great Britain	8
Availability of FIP facilities on train operators in Great Britain	8
National Rail website	9
National Rail Conditions of Travel.....	9
No Travel Restrictions for FIP facilities holders	9
Railway timetables.....	9
FIP coupons in Great Britain	9
International Reduced Rate Card (FIP Card) discounted tickets in Great Britain	10
Ticket validation and inspection	10
Types of ticket available for FIP discount	10
Anytime tickets	11
Off-peak tickets.....	11
Advance tickets	12
Rovers and Rangers.....	12
Season tickets and London area Travelcards.....	12
Customers with disabilities	12
Reservations.....	14
Bicycles.....	14
Luggage	14
Refunds	15
Travelling around and across London	15
Elizabeth Line	15
London Overground.....	15

Guide for visitors to Great Britain using FIP facilities

London Buses, Docklands Light Railway, London Trams, IFS cloud cable car and River Thames boat services.....	15
London Underground.....	15
London Terminals	16
Sleeper services	16
Caledonian Sleeper – London to Scotland	17
Great Western Railway Sleeper – London to Cornwall.....	18
Travel to the Isle of Wight.....	18
Photography and filming at stations.....	18
Heritage Railways.....	18
2FOR1 offers for National Rail ticket holders	19
National Railway Museum	20
Problems and Complaints	20
Introduction	21
Les services de Chemins de fer pour les passagers en Grand Bretagne	21
Disponibilité des facilités FIP sur les opérateurs des trains en Grand Bretagne	22
Le Site Web National Rail.....	22
Les Conditions pour Voyager dans les trains en Grand Bretagne (« National Rail Conditions of Travel »)	22
Aucune restriction sur l'utilisation des installations FIP.	22
Horaires de chemin de fer	22
Coupons FIP en Grand Bretagne	23
Les billets de FIP (prix réduit de Carte Internationale de réduction pour agents de chemin de fer) en Grand Bretagne.....	23
La validation et l'inspection des billets	23
Les Types de billets disponibles pour une réduction de la carte FIP	24
Billets « Anytime »	24
Billets « Off-peak ».....	24

Guide for visitors to Great Britain using FIP facilities

Billets « Advance »	25
Les « Rovers » et « Rangers »	26
Les Billets « Season » et « London area Travelcards ».....	26
Clients handicapés	26
Réservations (pour un siège)	27
Les Vélos	28
Bagage.....	28
Les Remboursements.....	29
Voyager en Londres et traverser Londres.....	29
Elizabeth Line	29
London Overground.....	29
London Buses, Docklands Light Railway (DLR), London Trams, IFS cloud cable car (téléphérique) et Bateaux sur la Tamise	29
London Underground/ « The Tube »	29
« London Terminals ».....	30
Les couchettes/Wagons-Lits	30
Caledonian Sleeper - Londres en Ecosse.....	31
Great Western Railway - Londres à Cornouailles	32
Voyage à l'île de Wight.....	32
La Photographie et filmer aux gares	32
Offres 2FOR1 pour les détenteurs de billets National Rail	32
Chemins de fer touristique	33
Musée national des chemins de fer	34
Problèmes et plaintes	34
Einführung.....	35
Öffentliche Personenverkehrsdienste in Großbritannien	35
Verfügbarkeit von FIP-Einrichtungen bei Zugbetreibern in Großbritannien	35

Guide for visitors to Great Britain using FIP facilities

National Rail-Webseite	36
Nationale Schienenverkehrsbedingungen	36
Keine reisebeschränkungen für Inhaber von FIP-Einrichtungen	36
Eisenbahnfahrpläne	36
FIP Gutscheine in Großbritannien.....	36
Internationale Reduzierte Rate Karte (FIP Card) ermäßigte Fahrkarten in Großbritannien	37
Ticketvalidierung und -prüfung.....	37
FIP-reduzierte Ticketarten	37
Open Tickets	38
Off-Peak Tickets	38
Vorkarten	39
Rovers und Rangers	39
Saisonkarten und London-Karten	39
Kunden mit Behinderungen	39
Reservierungen	41
Fahrräder	41
Gepäck	41
Rückerstattungen.....	42
Um und durch London reisen	42
Elizabeth Line	42
London Overground.....	42
London Busse, Docklands Light Railway, London Straßenbahnen, IFS cloud Seilbahn und Fluss Themse Bootsdienste.....	43
Londoner U-Bahn	43
Londoner Terminals	43
Sleeper Dienste.....	43
Caledonian Sleeper – London nach Schottland	45

Guide for visitors to Great Britain using FIP facilities

Great Western Railway – London nach Cornwall	45
Reise zur Isle of Wight.....	45
Fotografieren und Filmen an Stationen	45
2FOR1-Angebote für Inhaber von National Rail-Tickets	46
Museumsbahn	47
Nationales Eisenbahnmuseum	47
Probleme und Beschwerden.....	47
Introduzione.....	48
Disponibilità dei servizi FIP utilizzando le compagnie ferroviarie in Gran Bretagna	49
National Rail website	49
Condizioni di trasporto nazionali	49
Orari ferroviari	49
FIP voucher in Gran Bretagna	50
Acquisto biglietti in anticipo (Advance).....	52
Rovers e Rangers.....	52
Clienti con disabilità	53
Prenotazioni.....	54
Biciclette.....	55
Bagaglio.....	55
Rimborsi	55
Abbonamenti e biglietti per le zone di Londra	56
Elizabeth Line	56
London Overground.....	56
Autobus di Londra, Docklands Light Railway, Trams di Londra, IFS cloud Funivia e servizi di navigazione sul fiume Tamigi	56
Stazioni terminali di Londra	56
Servizi notturni.....	57

Guide for visitors to Great Britain using FIP facilities

Caledonian Sleeper - Londra alla Scozia	58
Great Western Railway - Londra alla Cornovaglia	59
Viaggia verso l'isola di Wight	59
Fotografie e riprese nelle stazioni.....	59
Offerte 2FOR1 per i possessori del biglietto National Rail	59
Ferrovia turistica	60
Museo Nazionale delle Ferrovie	61
Problemi e reclami	61
Appendix A – Franchised and Concessionary operators.....	62
Appendix B – Open access operators – FIP accepted	63
Appendix C – Open access operators – FIP not accepted.....	63
Appendix D – Other operators – FIP not accepted	63
Appendix E – Heritage railways – FIP accepted	64
Appendix F – Public timetable symbols	66

Guide for visitors to Great Britain using FIP facilities

Introduction

This guide is for visitors to Great Britain using FIP free and FIP discounted ticket facilities issued by transport administrations outside of Great Britain.

It covers domestic passenger transport services in England, Wales and Scotland under the National Rail brand.

It does not cover transport services in Northern Ireland, the Isle of Man or the Channel Islands, or transport to or from these places.

It also does not cover Eurostar services which use the Channel Tunnel to reach London St Pancras International, or ferry services from European countries to British ports.

The FIP identification for Great Britain is GB National Rail.

Disclaimer. This document is a guide for visitors to Great Britain using passenger rail services with FIP facilities. It is not a legally binding document. Rail Staff Travel makes every effort to keep the information accurate and up to date, but passenger train operators have considerable freedom to change some aspects of services they provide at short notice.

Passenger Rail services in Great Britain

National Rail should not be confused with Network Rail.

Passenger Rail services on which FIP facilities are valid are provided by franchised and concessionary operators regulated by the UK government, plus a few open-access operators.

Rail Delivery Group manages the National Rail brand. The National Rail brand provides journey planning, ticketing and retailing arrangements across all operators. Individual train operators sell tickets at stations and on-board trains under the National Rail brand. To ensure the customer gets best value for money, they are required to sell tickets for all services on an impartial basis.

Network Rail owns and maintains the rail infrastructure (track, bridges, tunnels, signalling and some major stations) in Great Britain and does not operate passenger trains.

Generally a different timetable of services operates on Saturdays and Sundays to that operated on weekdays. Services may be reduced on a public holiday. No services operate on Christmas Day, and very few services operate on Boxing Day (the public holiday after Christmas Day).

Availability of FIP facilities on train operators in Great Britain

FIP facilities are available on:

- all franchised and concessionary train operators shown in Appendix A
- the open access train operators shown in Appendix B

Guide for visitors to Great Britain using FIP facilities

FIP facilities are **not** available on:

- the open access train operators shown in Appendix C
- other operators which have a connection with, or run in close proximity to, National Rail providers, such as urban metro, light rail systems and shipping services, shown in Appendix D
- excursion and rail tour services which run on the National Rail network occasionally

FIP facilities can be used for leisure travel only. It is forbidden to use them for business, trading, duty or commuting to work (residential) purposes.

National Rail website

National Rail operates a travel enquiry website nationalrail.co.uk and apps on iOS and Android which can be used to plan journeys and find public fares for National Rail train operators.

FIP discounted fares are not shown or retailed on the National Rail website.

National Rail Conditions of Travel

The rights and any restrictions of those rights for passengers travelling using FIP facilities is covered by the National Rail Conditions of Travel. nationalrail.co.uk/nrcot (English only).

No Travel Restrictions for FIP facilities holders

A small number of heavily used services are not available to GB rail staff facilities holders. There are no restrictions on FIP facilities holders.

Railway timetables

Printed timetables are issued by each train operating company covering its services. These are normally available free of charge at station ticket offices.

It is usual to have separate pages for weekday services, Saturday services and Sunday services.

The symbols used in timetables are documented in Appendix F.

FIP coupons in Great Britain

FIP coupons can be used on services of all operators which accept FIP facilities, unless prohibited by the Travel Restrictions for Rail Staff.

FIP coupons do not operate automatic ticket barriers and must be shown to station staff to gain entry to the platforms.

Some suburban, commuter and rural services have no 1st class accommodation.

Guide for visitors to Great Britain using FIP facilities

International Reduced Rate Card (FIP Card) discounted tickets in Great Britain

Generally, tickets are made available by Train Operating Companies for purchase 12 months in advance of the travel date.

Discounted tickets can be obtained by presentation of the FIP card and passport as supporting ID at ticket offices at stations.

FIP discounted tickets are not issued on trains except in certain rural areas where tickets are issued only on trains ('pay trains'). Outside of these areas, holders of a FIP card who board a train without a ticket may be obliged to purchase a full rate ticket and pay a surcharge. At stations which display notices confirming that a Penalty Fare scheme is in operation, tickets must be purchased before boarding a train, otherwise a Penalty Fare notice may be issued for prosecution in a court of law.

FIP discounted tickets cannot be purchased from station ticket vending machines or from online retailers.

Many suburban, commuter and rural services have no 1st class accommodation, even on routes where 1st class fares are available.

Discounted tickets are encoded to operate the automatic ticket barriers at stations.

Ticket validation and inspection

Tickets are valid on the days of travel printed on the tickets.

There is no requirement for passengers to self-validate FIP discounted tickets before travel using platform based stamping equipment (i.e. *compositeurs*).

Tickets may need to be presented at, or inserted in, automatic ticket barriers to gain entry to station platforms.

Ticket Inspectors and Revenue Protection Inspectors may stamp or clip tickets inspected on board trains. A valid passport matching the name on the FIP documentation must be presented as supporting identification.

Tickets presented into automatic ticket barriers at the last point of a journey may be retained by the ticket barrier, depending on the ticket barrier configuration.

Types of ticket available for FIP discount

The FIP card generally offers a 50% discount on certain ticket types.

Active staff, including spouses and dependent children, of Belgian (NMBS / SNCB) and French National Railways (SNCF) are eligible for a 75% discount.

Guide for visitors to Great Britain using FIP facilities

Active and retired staff, including spouses and dependent children, of Irish Rail (CIE) and Northern Ireland Railways (NIR) are eligible for a 75% discount.

There are five main categories of ticket in Britain (excluding tickets for sleeper trains). Only some are eligible for FIP discount. The ticket office will advise you of the most appropriate ticket if you are able to confirm the journey you intend to make.

Anytime tickets

Single and return tickets available in 1st and Standard class. These can be purchased in advance of the planned travel date.

Shorter distance tickets are only valid for 1 day. On longer distance tickets the single ticket is usually valid for 2 days, the outward portion of a return is usually valid for 5 days, and the return portion is usually valid for 1 month. There are no time restrictions on the day of travel.

As a general rule, shorter distance tickets are usually for journeys up to 40 miles (64km).

You can break your journey in either or both directions as long as the journey is completed within the period of validity of the ticket.

Reservations can be made free of charge when purchasing Anytime tickets. Reservations cannot normally be made on the day of travel.

FIP discounts are available.

Off-peak tickets

Single and return tickets available in 1st and Standard class. These can be purchased in advance of the planned travel date.

Shorter distance tickets are only valid for 1 day. On longer distance journeys a single is normally valid for 1 day, the outward portion of a return is usually valid for 1 day and the return portion of a return is usually valid for 1 month.

As a general rule, shorter distance tickets are usually for journeys up to 40 miles (64km).

These tickets are subject to restrictions on the time when they can be used. Tickets are not normally valid in the morning peak hours, and sometimes also not valid in the evening peak hours. Time restrictions are indicated by a 2-character code printed on the ticket. Details for each restriction code are shown at nationalrail.co.uk/xx (website pages available in English only) where xx = restriction code printed on the ticket.

Some off-peak tickets do not permit break of journey. Please check at the station when buying your ticket if you need to break your journey.

Reservations can be made free of charge when purchasing off-peak tickets. Reservations cannot normally be made on the day of travel.

Guide for visitors to Great Britain using FIP facilities

FIP discounts on off-peak tickets are available.

Advance tickets

These are non-refundable, quota-controlled single tickets with mandatory reservations and are usually purchased at least the day before travel.

They can be exchanged before travel for a more flexible ticket (Off-Peak or Anytime) on payment of an admin fee.

These are the cheapest tickets available and may be cheaper than an FIP discounted Off-Peak or Anytime if you are able to plan your journey in advance.

Advance tickets are valid only on the date and train service(s) shown on the ticket(s). Your journey may include travel on some suburban, commuter and rural train services where seats are not reservable. If this is the case then you must travel on the train specified in the reservation, but there will be no specific seat booked.

Break of journey is not permitted.

FIP discounts are not available on Advance tickets.

Rovers and Rangers

Unlimited travel within a specified area for a defined period. There may be some time restrictions on when you can travel.

For a list of products see nationalrail.co.uk/rovers (website pages available in English only).

FIP discounts are available on some Rovers and Rangers.

Season tickets and London area Travelcards

Unlimited travel between two stations for a specified period, or within stated London zones for a specified period.

FIP discounts are not available.

Customers with disabilities

There are discounts on fares for a companion accompanying a customer with certain disabilities. You can ask for these discounts at a station if you are using your FIP facilities and your companion has no FIP facilities.

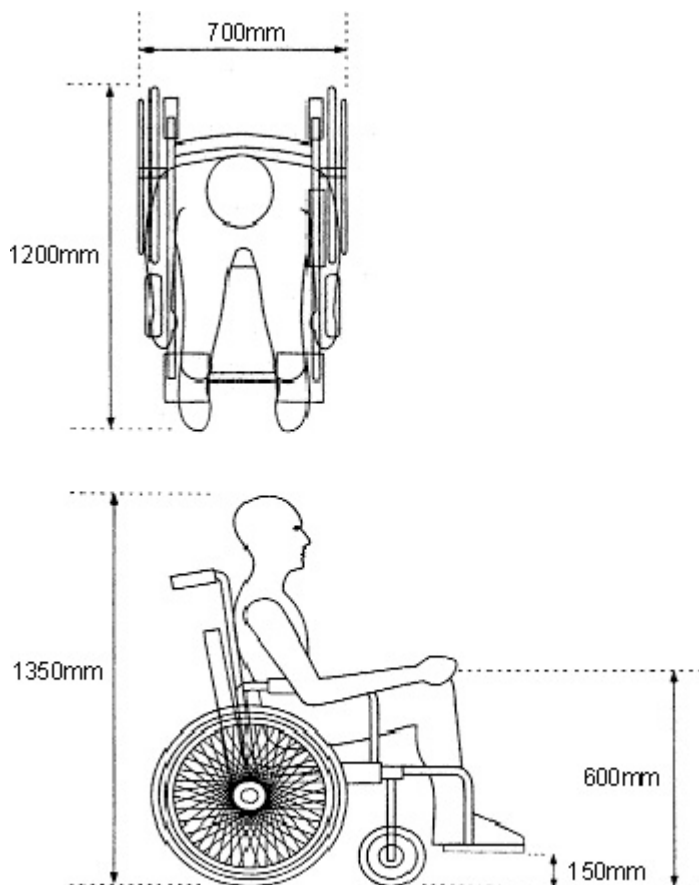
If you have an official document issued in your home country which confirms you are registered as blind or visually-impaired, you must show this when you buy your ticket and when travelling. You can then ask for a discount on the adult fare for one companion. There are no discounts on child fares.

Guide for visitors to Great Britain using FIP facilities

Blind, visually-impaired or deaf passengers may travel with an assistance dog, and the dog may travel for free. However, dogs must be kept on a lead at all times and may not travel on seats. Assistance dogs are permitted into buffet and restaurant cars, and may also travel in sleeping accommodation providing that the Train Company is given 48 hours' notice.

If you need to stay in your own wheelchair during a journey you can ask for a discount on adult or child fares for one companion. You do not need a GB Disabled Persons Railcard. The discounts are explained on the Disabled Persons Railcard website (only in English) at: disabledpersons-railcard.co.uk/using-your-railcard/other-discounts/

Most trains can accommodate wheelchairs that meet government regulations for public transport (700mm wide by 1200mm long). A small number of older trains only take wheelchairs with a maximum width of 550mm.



To allow wheelchairs to board and alight from trains, most trains require portable ramps to be placed between the platform and train. There are a limited number of spaces available to wheelchair users on each train. It is mandatory to book assistance in advance if travelling in a wheelchair.

Powered mobility chairs come in a wide variety of designs. Many have problems on trains, including: tipping backwards on ramps; being heavier than the ramp will carry; or being unable to manoeuvre safely inside a carriage. Some companies have trains that cannot carry powered mobility chairs.

Guide for visitors to Great Britain using FIP facilities

Customers requiring assistance boarding and alighting from trains should contact the appropriate Train Operating Company in advance of the day of travel to ensure that the assistance required is booked. An alternative is to complete the Assisted Travel Form (only in English) at: disabledpersons-railcard.co.uk/using-your-railcard/passenger-assist

Reservations

Seat reservations are available on most long distance Inter City trains. They are not usually available on suburban, commuter or rural services. They must normally be booked before the day of travel.

Seat reservations can be made free of charge when booking an Anytime or Off-Peak ticket. Holding a seat reservation does not compel you to travel on a specific train, but you should cancel a reservation if you do not intend to use it. You can change a seat reservation for free at a ticket office if your journey plans change.

Seat reservations are included in the purchase of Advance tickets and are valid only on the date and train service(s) shown on the ticket(s).

Seat reservations can be made at a ticket office if you hold a Rover or Ranger ticket, or an FIP Coupon.

Reservations for sleeper berths are mandatory.

Bicycles

Most train operators permit bicycles to be carried. Space is limited. Sometimes a fee is payable and a bicycle reservation is required. It is usually necessary to put the bicycle in a specific part of the train which may not be near your seat. You should enquire at a ticket booking office for details.

Luggage

Items which may be carried for free:

- 2x items of luggage, articles or musical instruments no larger than 90 x 70 x 30 cm and not exceeding 50kg total.
- 1x additional item of hand luggage that must be capable of being held in passenger's lap if required
- Child pushchair or cot which must be folded
- Manual and powered wheelchairs. Unless in use, they must be folded and stored in the area designated for wheelchairs.

Items which are permitted at the discretion of the Train Operating Companies:

- Additional luggage items, articles or musical instruments over 30 x 70 x 90 cm
- Canoes, Sailboards, Skis and Ski-boards
- Surfboards – (only in the luggage van on Great Western Railway services from London to Newquay, St. Ives, Penzance and Barnstaple. A fee is payable.)
- Sports equipment including golf clubs

Guide for visitors to Great Britain using FIP facilities

- Unloaded Guns

Items not permitted:

- Furniture exceeding 30 x 70 x 90 cm.
- Motorcycles, mopeds & motor scooters
- Dangerous goods – inflammable liquids, explosives
- Loaded guns and firearms

Refunds

Anytime, Off-Peak, Rovers and Ranger tickets which are no longer required may be submitted for a refund before the outward date of travel.

Applications for refunds must be made to the Train Company from which it was purchased. This can be done at a station ticket office. The administration charge will be a maximum of £10.00 per ticket.

Advance ticket types are non-refundable.

Travelling around and across London

Transport for London (TfL) is the local government body responsible for most (but not all) transport services in Greater London. It operates London Buses, London Underground (the Tube), London Trams, Docklands Light Railway (DLR), London Overground, TfL rail, IFS cloud cable car and some boat services on the River Thames.

Elizabeth Line

The Elizabeth line is a National Rail concession. FIP facilities are available on the Elizabeth line. However, there are no ticket offices between London Paddington and Abbey Wood.



London Overground

London Overground is a National Rail concession. FIP facilities are valid on London Overground services.



London Buses, Docklands Light Railway, London Trams, IFS cloud cable car and River Thames boat services

FIP facilities are not available on London Buses, Docklands Light Railway, London Trams, IFS cloud cable car and River Thames boat services.

London Underground

FIP facilities are not available on London Underground with the following exception:



National Rail tickets which require a passenger to transfer from one London

Guide for visitors to Great Britain using FIP facilities

Terminal station to another may use London Underground services between those London Terminal stations only. Break of journey at intermediate London Underground stations is not permitted.

Tickets which may be used on London Underground to transfer between one National Rail London Terminal and another are marked with ✠ (Maltese Cross) or † (dagger).

London Terminals

Some tickets to London are priced to a specific London Terminal station (such as Kings Cross). Other tickets to London are priced to a group called London Terminals. London Terminals may be printed on tickets as either the Origin or Destination.

There are 18 stations within the London Terminals group, Blackfriars, Cannon Street, Charing Cross, City Thameslink, Euston, Fenchurch Street, Kings Cross, Liverpool Street, London Bridge, Marylebone, Moorgate, Old Street, Paddington, St Pancras, Vauxhall, Victoria, Waterloo, Waterloo East.

Tickets to or from London Terminals are generally available to some of the stations in the group listed above which you can travel to or from on National Rail services on a reasonably direct route. They are not available for use on London Underground to or from other London Terminal stations.

If you wish to travel to a London Terminal station which involves using London Underground, then your ticket should show an origin or destination of Zone U1 to allow travel on the London Underground in Zone 1.

For clarification on which London Terminal stations you can use for a specific journey, please enquire at the ticket office when buying your ticket.

Sleeper services

There are two franchised operators of sleeper services in Britain. FIP discounted tickets which include berth reservations are purchased by contacting the Train Operating Company directly.

Sleeper berths for FIP coupon holders may be purchased from a station ticket office. On all sleeper services, you may begin your journey on the evening before the date entered in the coupon box.¹

Sleeper berth reservations are mandatory for all Sleeper services and berth supplements must be paid for in advance. Overnight seating accommodation is also available.

¹ {Source RST Ref 90-011-032/D7602INC}

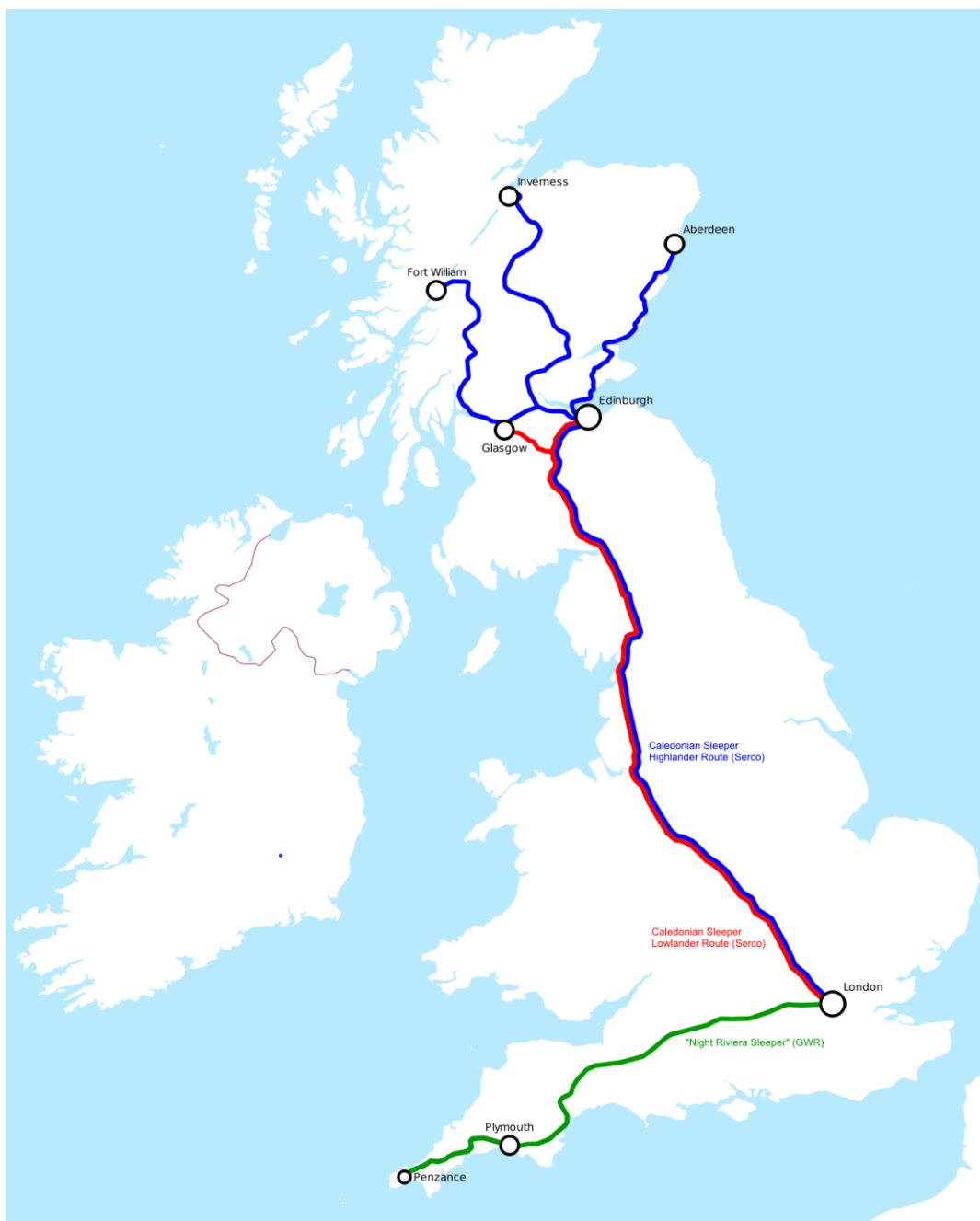


Figure 1 - Sleeper services in Great Britain

Caledonian Sleeper – London to Scotland

Caledonian Sleeper operates two services between London Euston and various locations in Scotland with departures on Sunday to Friday nights inclusive.

- The (Lowland) Caledonian Sleeper which runs between London Euston, Glasgow and Edinburgh (train splits/joins into two *en-route*).
- The (Highland) Caledonian Sleeper which runs between London Euston and Aberdeen, Inverness and Fort William (train splits/joins into three *en-route*). When operating in three sections in Scotland, the Highland trains stop at many of the intermediate stations.



**CALEDONIAN
SLEEPER**

Guide for visitors to Great Britain using FIP facilities

Great Western Railway Sleeper – London to Cornwall

Great Western Railway operate the *Night Riviera* service with departures on Sunday to Friday nights inclusive between London Paddington and Penzance calling at principal stations in Devon and Cornwall.



Travel to the Isle of Wight

FIP discounted fares are not valid on ferry services to the Isle of Wight. If travelling to railway stations on the Isle of Wight you will need three tickets; FIP discounted ticket for rail travel on the mainland, a public rate ticket to cross on Wightlink from Portsmouth to Ryde Pier Head, and an FIP discounted ticket for rail travel on the Isle of Wight.

Photography and filming at stations

Network Rail and all Britain's Train Operating Companies welcome rail enthusiasts to their stations. Photographs are permitted for non-commercial use only. Flash photography is prohibited, as is taking photographs of security related equipment such as CCTV cameras.

To avoid suspicion, enthusiasts should inform station staff of their intentions to take photographs for personal use. Depending on operational or security requirements, you may be asked to move to another part of the station or to leave the station altogether.

Some larger stations are managed by Network Rail. The remainder are managed by an appropriate train operating company.

The photography policy for stations managed by Network Rail may be found here. networkrail.co.uk/communities/railway-enthusiasts/railway-enthusiasts-and-photography-at-stations

The list of stations managed by Network Rail may be found here. networkrail.co.uk/communities/passengers/our-stations

The photography policy for other stations which are part of the National Rail network may be found here www.nationalrail.co.uk/travel-information/guidance-for-rail-enthusiasts

Heritage Railways

Some heritage railways offer a discount to holders of the FIP International Reduced Rate Card. The discount offered is 50% off the full public adult fare. This is a non-contractual arrangement offered through the goodwill of each railway and can be withdrawn at any time.

Heritage railways operate seasonal timetables with ordinary days and special event days. The FIP discount may not be available on special event days. The website of each railway will have a calendar and timetable showing the services on offer.

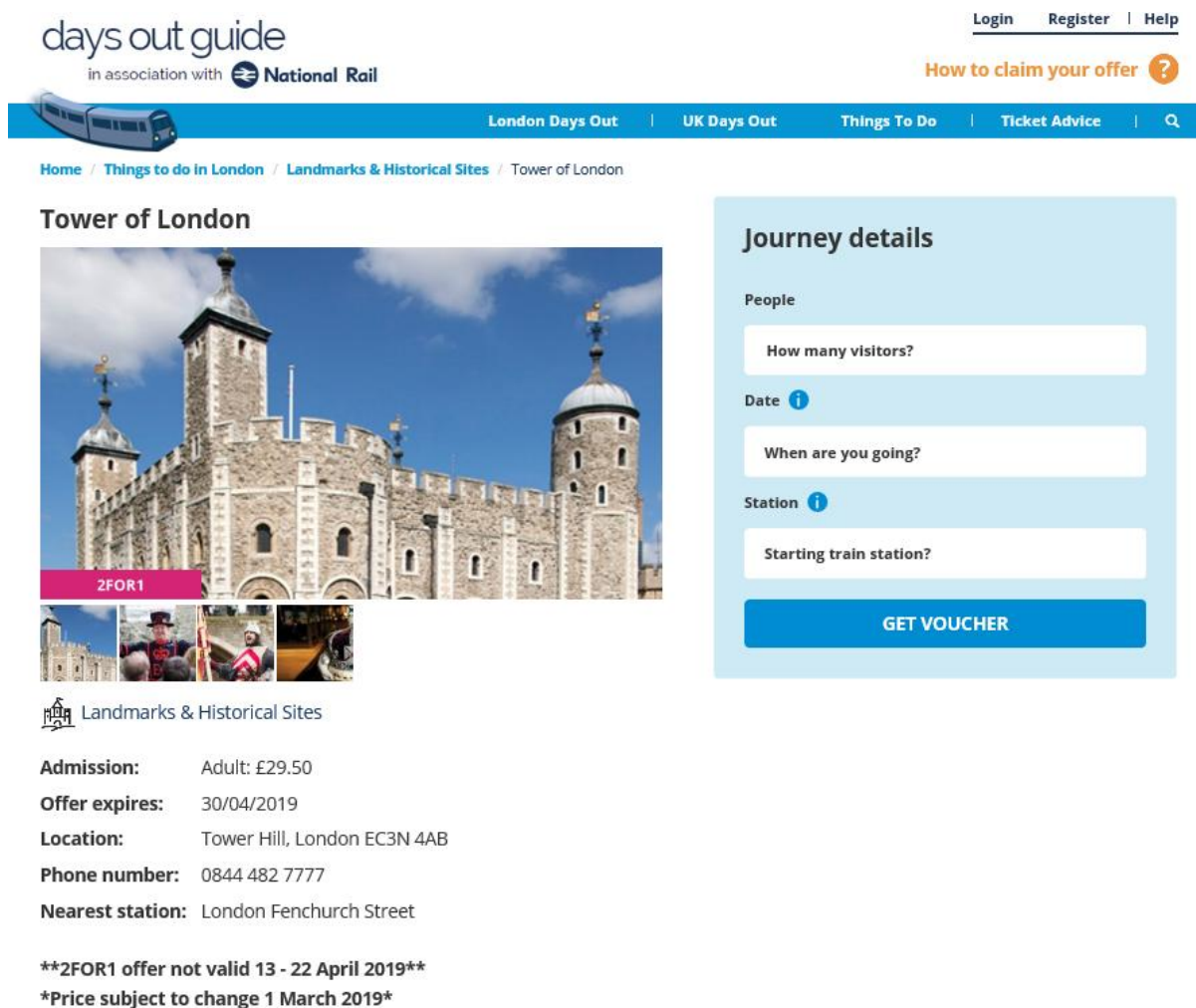
Guide for visitors to Great Britain using FIP facilities

Nearly all railway companies in Britain abolished 2nd class accommodation between 1875 and 1910, and only offered 1st class and 3rd class until 1956. Many heritage railways do not provide 2nd class accommodation in recognition of this history.

Please see Appendix E for more details,

2FOR1 offers for National Rail ticket holders

Many leisure and tourist attractions offer two adult admission tickets for the price of one when you travel by train. Information in English can be found at daysoutguide.co.uk



The screenshot shows the 'days out guide' website interface. At the top, there are links for 'Login', 'Register', and 'Help'. A navigation bar includes 'London Days Out', 'UK Days Out', 'Things To Do', and 'Ticket Advice'. The main content area features a breadcrumb trail: 'Home / Things to do in London / Landmarks & Historical Sites / Tower of London'. The 'Tower of London' section includes a large image of the building with a '2FOR1' badge, a smaller image strip, and a 'Landmarks & Historical Sites' category tag. To the right is a 'Journey details' form with fields for 'How many visitors?', 'Date', 'When are you going?', and 'Starting train station?', followed by a 'GET VOUCHER' button. Below the main image, the following details are listed:

Admission: Adult: £29.50
Offer expires: 30/04/2019
Location: Tower Hill, London EC3N 4AB
Phone number: 0844 482 7777
Nearest station: London Fenchurch Street

****2FOR1 offer not valid 13 - 22 April 2019****
Price subject to change 1 March 2019

Using the website choose the attraction you want to visit. Download and print out your vouchers. Travel by train to the attraction. Present the voucher and your train ticket to get a discount on the admission fee.

The discount on the admission fee is available if you travel with FIP discounted tickets bought using the FIP International Reduced Rate Card. It is not available if you travel for free using FIP Coupons.

Guide for visitors to Great Britain using FIP facilities

National Railway Museum

The National Railway Museum operates in two locations:

- A main museum adjacent to York railway station railwaymuseum.org.uk
- A secondary museum adjacent to Shildon railway station called *Locomotion* locomotion.org.uk

Admission to both museums is free of charge, although visitors are encourage to make a voluntary donation.

Problems and Complaints

If you have a problem using FIP facilities in Britain, then you should firstly raise the issue with the operator concerned. Details of how to contact each operator can be found on their websites.

If your complaint remains unresolved, then you should then raise your complaint with the independent Rail Ombudsman. Details on how to do this are on their website at railombudsman.org

Guide pour les visiteurs à Grand Bretagne qui utilisent La Carte Internationale de réduction pour agents de chemin de fer (« La carte FIP »)

Introduction

Ce guide est pour ce qui visitent Grand Bretagne et voudraient utiliser les facilités « FIP » (billets de train libres) et « FIP » (billets de trains remisés) distribués par les entreprises de chemins de fer basées hors de Grand Bretagne.

Il s'occupe des trains « National Rail » en Angleterre, Pays de Galles et Écosse.

Les trains en Irlande du Nord, l'île de Man, les îles Anglo-Normandes, ou les transports à ou de ces endroits sont exclus.

De plus, il ne s'occupe pas des services Eurostar qui voyagent dans le Tunnel sous le Manche à London St Pancras International, ou bien les ferrys entre les destinations européennes et les ports Britanniques.

L'identification FIP pour Grand Bretagne est GB National Rail.

Dégagement de responsabilité. Ce document est un guide pour les visiteurs à Grand Bretagne qui utilisent les trains en Grand Bretagne avec la carte FIP. Ce n'est pas un engagement juridique. Rail Staff Travel essaye d'assurer que les informations sont précises et à jour, mais les entreprises gestionnaires des trains Britanniques ont une grande liberté de changer leurs règles avec court délai.

Les services de Chemins de fer pour les passagers en Grand Bretagne

C'est nécessaire de ne pas confondre National Rail avec Network Rail.

Les trains passagers dans lesquels les facilités FIP sont disponibles sont fournis par entreprises gestionnaires franchisées, régulées par le gouvernement Britannique. Il y a aussi quelques entreprises gestionnaires « Open access » qui ne sont pas franchisées par le gouvernement.

Rail Delivery Group gère la marque « National Rail ». La marque « National Rail » fournit un service de préparation des voyages, et les services d'achat de billets de train pour tous les trains en Grand Bretagne. En outre les entreprises gestionnaires vendent les billets aux gares et quelquefois dans les trains eux-mêmes, sous la marque National Rail. Pour assurer que les clients des chemins de fer Britannique reçoivent de bonne valeur en contrepartie de l'argent dépensé, tous les entreprises gestionnaires ont une obligation de vendre les billets, dans un moyen impartial, pour toutes les entreprises gestionnaires, pas seulement pour leurs trains eux-mêmes. Cela veut dire qu'on peut acheter un billet pour voyager en Ecosse dans les Cornouailles.

« Network Rail » possède et entretient l'infrastructure des chemins de fer (voies ferrées, ponts, tunnels, signalisation, et quelques des plus grandes gares) en Grand Bretagne mais ne sont pas une entreprise qui dirige les trains. Elle ne vend pas les billets.

En général, les horaires des trains sont différents sur les samedis et sur les dimanches. Il pouvait être aussi un service réduit sur les jours fériés. Il n'y a aucuns trains à la Noël. Il y a très peu de trains sur le 26ème décembre (jour férié).

Guide pour les visiteurs à Grand Bretagne qui utilisent La Carte Internationale de réduction pour agents de chemin de fer (« La carte FIP »)

Disponibilité des facilités FIP sur les opérateurs des trains en Grand Bretagne

Les facilités FIP sont disponibles sur :

- Tous les opérateurs des trains franchisés dans Annexe A
- Les opérateurs « Open access » dans Annexe B

Les facilités FIP ne sont pas disponibles sur :

- Les opérateurs des trains « Open access » dans Annexe C
- Les opérateurs des trains dans Annexe D (souvent les métros, TLR, etc.)
- Les trains d'excursions spéciales, qui courent de temps en temps sur les chemins de fers do Network Rail

Les facilités FIP sont seulement pour les loisirs, c'est interdit d'utiliser les facilités FIP :

- En faisant la navette entre un domicile et un lieu de travail
- Pour le commerce
- Pour voyager à ou d'une réunion de commerce

Le Site Web National Rail

National Rail gère un site web pour les questions concernant voyager en train en Grand Bretagne, nationalrail.co.uk (en anglais). Il y a aussi les applis pour iOS et Android. Tous peuvent être utilisés pour planifier les voyages et trouver les prix de billets de train (les prix publics, pas FIP. Les billets FIP ne sont pas vendus sur nationalrail.co.uk).

Les billets FIP ne sont pas montrés ou disponibles pour acheter sue le site web de National Rail.

Les Conditions pour Voyager dans les trains en Grand Bretagne (« National Rail Conditions of Travel »)

Les droits et restrictions des passagers qui utilisent les facilités FIP est parti de « *National Rail Conditions of Travel* » nationalrail.co.uk/nrcot (en anglais).

Aucune restriction sur l'utilisation des installations FIP.

Un petit nombre de trains très occupés ne sont pas disponibles pour les personnel ferroviaire britannique..

Il n'y a pas de restrictions sur les détenteurs d'installations FIP.

Horaires de chemin de fer

Les horaires imprimés sont émis par chaque compagnie d'exploitation de train et couvrent ses services. Ceux-ci sont normalement disponibles gratuitement aux guichets de la gare.

Guide pour les visiteurs à Grand Bretagne qui utilisent La Carte Internationale de réduction pour agents de chemin de fer (« La carte FIP »)

Il est habituel d'avoir des pages séparées pour les services en semaine, les services du samedi et les services du dimanche.

Les symboles utilisés dans les horaires sont documentés à l'annexe F.

Coupons FIP en Grand Bretagne

Les coupons FIP peuvent être utilisés dans les services de tous les opérateurs qui acceptent les facilités FIP, sauf les services qui ont les restrictions.

Les coupons FIP ne marchent pas avec les portillons aux gares, et doivent être montrés aux personnels pour entrer/sortir les quais.

Quelques trains de banlieues ou ruraux n'ont pas les sièges de première classe.

Les billets de FIP (prix réduit de Carte Internationale de réduction pour agents de chemin de fer) en Grand Bretagne

En général, les billets sont disponibles à acheter des opérateurs de trains douze mois avant la date de voyager.

Les billets de prix réduit peuvent être obtenu par présenter la carte FIP et le passeport aux billetteries des gares.

Les billets de prix réduits FIP ne sont pas vendus dans les trains sauf dans quelques régions rurales, où tous les billets sont vendus dans les trains (car il n'y a pas de billetteries aux gares). Hors de ces trains, ceux qui ont une carte FIP qui montent dans un train sans un billet doivent payer le prix entier d'un billet, et aussi une amende.

Les billets de prix réduits FIP ne sont pas vendus des distributeurs automatiques de billets ou des sites web (seulement aux billetteries).

Beaucoup de trains de banlieues ou ruraux n'ont pas les sièges de première classe, même si les billets de premier sont disponibles pour acheter (autres trains sur ces routes peuvent avoir les sièges de premier classe).

Les billets de prix réduits FIP marchent avec les portillons aux gares.

La validation et l'inspection des billets

Les billets ne sont que valable aux jours qui sont imprimés les-dessus.

Il n'y aucune obligation sur les passagers de faire composer les billets avant de voyager.

Guide pour les visiteurs à Grand Bretagne qui utilisent La Carte Internationale de réduction pour agents de chemin de fer (« La carte FIP »)

À certaines gares, il serait nécessaire de présenter les billets aux portillons pour entrer/sortir la gare.

Les inspecteurs de billets tamponneraient ou composteraient les billets dans les trains. C'est nécessaire de montrer un passeport valide avec le même nom que le nom sur la Carte FIP.

C'est possible que les portillons à la fin du voyage aillent garder les billets qui sont insérés.

Les Types de billets disponibles pour une réduction de la carte FIP

En général, la carte FIP donne une réduction de 50% sur certains billets.

Les agents, leurs épouses, leurs personnes à charge des chemins de fer Belges (cela veut dire NMBS / SNCB) et des chemins de fer français (SNCF) reçoivent une réduction de 75%.

Les agents (actifs ou retraités), leurs épouses, leurs personnes à charge des chemins de fer d'Irlande (Irish Rail / CIE) et les chemins de fer d'Irlande du Nord reçoivent une réduction de 75%.

Il y a cinq catégories principales de billet en Grand Bretagne (sans compter les billets pour les trains couchettes). Pas tous sont éligibles pour une réduction avec la carte FIP. Les billetteries peuvent on conseiller le meilleur billet, si on explique le voyage qu'on a l'intention de faire.

Billets « Anytime »

On peut recevoir une réduction de la carte FIP sur les billets « Anytime ».

Les aller-simples et les aller-retours sont disponibles en premier classe et en deuxième classe (deuxième classe est nommée « Standard class », « STD »). On peut acheter ces billets avant la date de voyager.

Les billets pour les petites distances ne sont que valable pour un jour. Pour les distances plus longues, les aller-simples sont normalement valable pour deux jours, et la première partie d'un aller-retour est normalement valable pour cinq jours, la deuxième partie un mois. Il n'y a aucune restrictions sur le jour où on peut voyager, mais on ne peut pas faire plus qu'un voyage pour chaque partie.

En général, les « petites distances » sont moins de 64 kilomètres (40 miles).

Pendant un voyage, on peut faire une pause (cela veut dire descendre le train avant la gare de destination) et continuer plus tard (nommé « Break of journey », « BoJ ») mais seulement si le voyage est complété en entier avant l'expiration du billet.

Pour les billets « Anytime », on peut faire une réservation gratuite au même temps qu'acheter le billet. Ce n'est pas normalement possible de le faire au même jour que voyager.

Billets « Off-peak »

On peut recevoir une réduction de la carte FIP sur les billets « Off-Peak ».

Guide pour les visiteurs à Grand Bretagne qui utilisent La Carte Internationale de réduction pour agents de chemin de fer (« La carte FIP »)

Les aller-simples et les aller-retours sont disponibles en première classe et en deuxième classe (nommé « Standard class », « STD »). On peut les acheter avant la date de voyager.

Les billets pour les petites distances ne sont que valable pour un jour. Pour les distances plus longues, les aller-simples sont normalement valable pour un jour, et la première partie d'un aller-retour est aussi normalement valable pour un jour, la deuxième partie un mois.

En général, les « petites distances » sont moins de 64 kilomètres (40 miles).

Les billets « Off-Peak » ont les restrictions sur l'heure à laquelle on peut les utiliser. Normalement, c'est interdire d'utiliser un billet « Off-Peak » en période de pointe (pendant le matin) et quelquefois en période de pointe pendant le soir. Les restrictions d'un billet « Off-Peak » sont indiquées par les deux lettres/nombres imprimées sur le billet. Les détails sont disponibles sur le site web National Rail, nationalrail.co.uk/xx, (en anglais) où xx sont les deux lettres/nombres imprimées sur le billet.

Pour les billets « Off-Peak », ce n'est pas normalement permis de faire une pause (cela veut dire descendre le train avant la gare de destination) et continuer plus tard (nommé « Break of journey », « BoJ ») où le voyage est complété en entier avant l'expiration du billet. Pour les billets « Off-Peak », on doit vérifier si « Break of Journey » est permis quand on achète le billet.

Pour les billets « Off-Peak », on peut faire une réservation gratuite au même temps qu'acheter le billet. Ce n'est pas normalement possible de le faire au même jour que voyager.

Billets « Advance »

On ne peut pas recevoir une réduction de la carte FIP sur les billets « Advance ».

C'est impossible de rembourser un billet « Advance ». Les billets « Advance » ne sont pas disponible pour chaque train. Pour les trains qui acceptent les billets « Advance », il y a un nombre limité. On achète un billet « Advance » pour un train spécifique, et ce n'est pas possible de voyager dans un autre. Normalement, c'est nécessaire d'acheter les billets « Advance » avant la date de voyager. Que les aller-simples sont disponibles.

On ne peut pas rembourser les billets « Advance », mais on peut les échanger avant le voyage, même pour un « Anytime » ou « Off-Peak ». Il y aura les frais à payer.

Les billets « Advance » sont les moins chers, et peut être moins chers que les billets « Anytime » ou « Off-Peak », même après la réduction de FIP.

Les billets « Advance » ne sont que valable pour le train/les trains nommés sur le billet, même s'il n'y a pas de réservations dans ce train/ces trains.

Pendant un voyage, on ne peut pas faire une pause (cela veut dire descendre le train avant la gare de destination) et continuer plus tard (nommé « Break of journey », « BoJ »). On doit rester dans le train jusqu'à la gare de destination.

Guide pour les visiteurs à Grand Bretagne qui utilisent La Carte Internationale de réduction pour agents de chemin de fer (« La carte FIP »)

Les « Rovers » et « Rangers »

Les « Rovers » et « Rangers » permettent les voyages sans limites (pour la région et les dates spécifiés). Quelquefois il y a les restrictions concernant l'heure de voyager.

Pour voir une liste de « Rovers » et « Rangers », voir le site web : nationalrail.co.uk/rovers (en anglais).

On peut utiliser la carte FIP sur quelques (mas pas tous) « Rovers » et « Rangers ».

Les Billets « Season » et « London area Travelcards »

Les billets « Season » permettent les voyages sans limites (pour la voyage et les dates spécifiés). Il n'y a pas de restrictions concernant l'heure de voyager.

On ne peut pas recevoir une réduction de la carte FIP pour un billet « Season ».

Clients handicapés

Il existe des réductions sur les tarifs pour un compagnon accompagnant un client souffrant de certains handicaps. Vous pouvez demander ces réductions dans une station si vous utilisez vos installations FIP et que votre compagnon ne dispose d'aucune installation FIP.

Si vous disposez d'un document officiel délivré dans votre pays d'origine confirmant votre inscription comme aveugle ou ayant une déficience visuelle, vous devez le montrer lors de l'achat de votre billet et lors de votre voyage. Vous pouvez ensuite demander un rabais sur le tarif adulte pour un compagnon. Il n'y a pas de réduction sur les tarifs enfants.

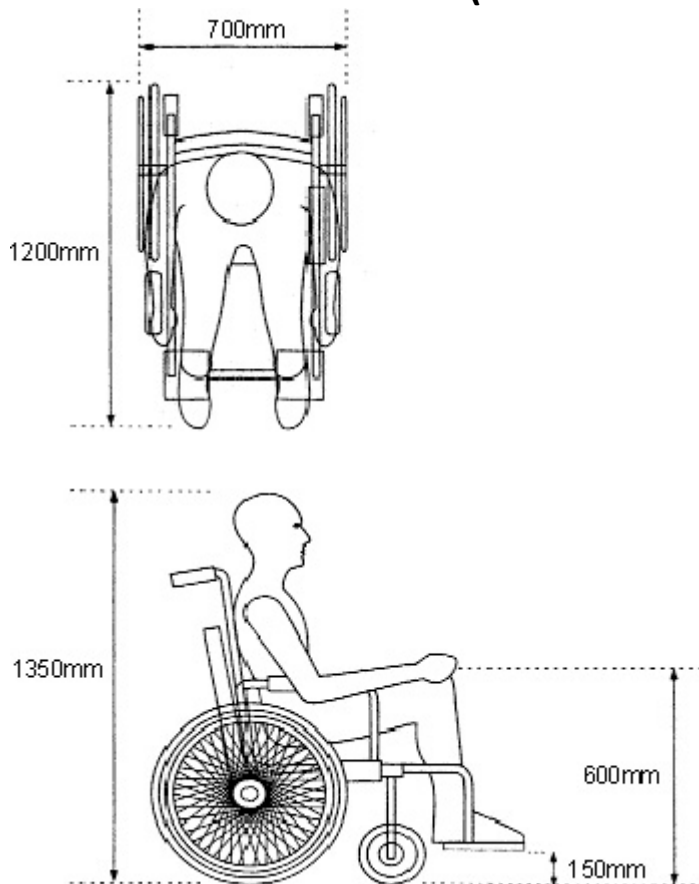
Les passagers aveugles, malvoyants ou sourds peuvent voyager avec un chien d'assistance et le chien peut voyager gratuitement. Cependant, les chiens doivent être tenus en laisse en tout temps et ne peuvent pas voyager sur des sièges. Les chiens d'assistance sont autorisés à monter dans les wagons-restaurants et les wagons-restaurants. Ils peuvent également voyager dans des lits, à condition que la compagnie de train soit avertie 48 heures à l'avance.

Si vous devez rester dans votre propre fauteuil roulant pendant un voyage, vous pouvez demander une réduction sur le tarif adulte ou enfant pour un compagnon. Vous n'avez pas besoin d'une carte ferroviaire GB Disabled Persons. Les réductions sont expliquées sur le site Web Disabled Persons Railcard (uniquement en anglais) à l'adresse suivante:

disabledpersons-railcard.co.uk/using-your-railcard/other-discounts

La plupart des trains peuvent accueillir des fauteuils roulants conformes aux réglementations gouvernementales en matière de transport en commun (700 mm de large sur 1 200 mm de long). Un petit nombre de trains plus anciens ne prennent que des fauteuils roulants d'une largeur maximale de 550 mm.

Guide pour les visiteurs à Grand Bretagne qui utilisent La Carte Internationale de réduction pour agents de chemin de fer (« La carte FIP »)



Pour permettre aux fauteuils roulants de monter et descendre des trains, la plupart des trains exigent l'installation de rampes portables entre le quai et le train. Il y a un nombre limité de places disponibles pour les utilisateurs de fauteuils roulants dans chaque train. Il est obligatoire de réserver une assistance à l'avance si vous voyagez en fauteuil roulant.

Les fauteuils électriques sont proposés dans une grande variété de modèles. Beaucoup ont des problèmes dans les trains, notamment: basculer vers l'arrière sur les rampes; être plus lourd que la rampe portera; ou être incapable de manœuvrer en toute sécurité à l'intérieur d'une voiture. Certaines compagnies ont des trains qui ne peuvent pas transporter de sièges à mobilité motorisée

Les clients ayant besoin d'assistance pour monter à bord et descendre des trains doivent contacter la compagnie d'exploitation de train appropriée avant le jour du voyage pour s'assurer que l'assistance requise est réservée. Une autre solution consiste à remplir le formulaire de voyage assisté (uniquement en anglais) à l'adresse suivante:

disabledpersons-railcard.co.uk/using-your-railcard/passenger-assist

Réservations (pour un siège)

Les réservations sont disponibles dans la plupart des trains pour les longues distances (trains « Inter-City »). Elles ne sont pas disponibles dans la plupart des trains de banlieues ou trains ruraux. Normalement, on doit faire une réservation avant la date de voyager.

Guide pour les visiteurs à Grand Bretagne qui utilisent La Carte Internationale de réduction pour agents de chemin de fer (« La carte FIP »)

Les réservations sont gratuites pour les billets « Anytime » et « Off-Peak ». Pour ces billets, ce n'est pas obligatoire de voyager dans le train pour lequel on a une réservation, mais on doit annuler une réservation si on n'a plus l'intention de voyager dans ce train. On peut échanger les réservations aux billetteries (aussi gratuit).

Pour les billets « Advance », les réservations sont déjà incluses. Au contraire des billets « Anytime » ou « Off-Peak », pour les billets « Advance » c'est obligatoire de voyager dans le train nommé sur le billet/réservation.

Si on a un billet « Rover » ou « Ranger » ou « Coupons FIP », on peut faire les réservations aux billetteries.

C'est obligatoire d'avoir une réservation pour les trains couchettes/wagons-lits avant de voyager.

Les Vélos

Dans la plupart des trains, on peut voyager avec un vélo, mais les places sont limitées. Quelquefois, il y a des frais ou une réservation est obligatoire. Normalement, on doit laisser les vélos dans les places spécifiques dans le train. Les places pourraient être loin de votre siège. On peut demander aux billetteries pour les détails.

Bagage

Articles pouvant être transportés gratuitement:

- 2x bagages, articles ou instruments de musique ne dépassant pas 90 x 70 x 30 cm et ne dépassant pas 50 kg au total.
- 1 bagage à main supplémentaire qui doit pouvoir rester sur les genoux du passager si nécessaire
- une poussette ou un lit pour enfant qui doit être plié
- Fauteuils roulants manuels et électriques. Sauf s'ils sont utilisés, ils doivent être pliés et rangés dans la zone réservée aux fauteuils roulants.

Éléments autorisés à la discrétion des compagnies d'exploitation de trains:

- Bagages, articles ou instruments de musique supplémentaires de plus de 30 x 70 x 90 cm
- Canoës, planches à voile, skis et planches à ski
- Planches de surf - (uniquement dans le fourgon à bagages du Great Western Railway, de Londres à Newquay, St. Ives, Penzance et Barnstaple. Des frais sont à payer.)
- Equipement sportif, y compris les clubs de golf
- Pistolets non chargés

Articles non autorisés:

- Meubles de plus de 30 x 70 x 90 cm.
- Motos, cyclomoteurs et scooters
- Marchandises dangereuses - liquides inflammables, explosifs

Guide pour les visiteurs à Grand Bretagne qui utilisent La Carte Internationale de réduction pour agents de chemin de fer (« La carte FIP »)

- Armes et armes à feu chargées

Les Remboursements

On peut soumettre les billets « Anytime », « Off-Peak », « Rover », « Ranger » et « Season » qui ne sont plus nécessaires peuvent faire l'objet d'un remboursement avant la date de départ.

Les demandes pour les remboursements doivent être fait à la même pointe où on a acheté le billet. Il y a normalement les frais de £10.

On ne peut pas recevoir un remboursement pour les billets « Advance ».

Voyager en Londres et traverser Londres

« Transport for London » ou « TfL » est le corps de l'administration locale responsable de la plupart (mais pas tous) des services transport dans Grand Londres. Il gère : London Buses, London Underground (aussi nommé « The Tube »), London Trams, Docklands Light Railway (DLR), London Overground, TfL Rail, Emirates Air Line (téléphérique), et quelques bateaux sur la Tamise.

Elizabeth Line

Elizabeth Line est partie de National Rail, donc les facilités FIP sont disponibles. Il n'y a pas de billetterie dans les gares entre Londres Paddington et Abbey Wood.



London Overground

London Overground est partie de National Rail, donc les facilités FIP sont disponibles.



London Buses, Docklands Light Railway (DLR), London Trams, IFS cloud cable car (téléphérique) et Bateaux sur la Tamise

Les facilités FIP ne sont pas disponibles sur : London Buses, Docklands Light Railway (DLR), London Trams, IFS cloud cable car (téléphérique) et les bateaux sur la Tamise.

London Underground/ « The Tube »

Les facilités FIP ne sont pas disponibles sur London Underground, avec qu'une exception.



Les billets de National Rail où il y a un besoin de changer de train à une gare qui est « London Terminal » à un autre « London Terminal » : on peut utiliser un service de London Underground entre ces deux gares. C'est n'est pas permis de faire une pause (cela veut dire descendre le train avant la gare de destination) et continuer plus tard (nommé « Break of journey », « BoJ »).

Ce n'est que permis de changer de train entre les deux gares « London Terminal » si le billet a une croix de Malte ✠ ou un obèle †.

Guide pour les visiteurs à Grand Bretagne qui utilisent La Carte Internationale de réduction pour agents de chemin de fer (« La carte FIP »)

« London Terminals »

Avec certains billets destination Londres, on n'est que permis de voyager à une gare spécifique. Il y a des autres à ou d'un groupe « London Terminals » : « London Terminals » peut être une origine ou une destination.

Il y a 18 gares dans le groupe « London Terminals » : Blackfriars, Cannon Street, Charing Cross, City Thameslink, Euston, Fenchurch Street, Kings Cross, Liverpool Street, London Bridge, Marylebone, Moorgate, Old Street, Paddington, St Pancras, Vauxhall, Victoria, Waterloo, Waterloo East.

Les billets à ou de « London Terminals » ne sont pas valable à ou de n'importe quelle gare dans le groupe « London Terminals ». On ne peut pas voyager dans le London Underground avec un billet de « London Terminals ». On peut demander à une billetterie quelle gares « London Terminals » sont valable pour un billet spécifique (normalement les gares à laquelle on peut voyager directe).

Si on voudrait voyager à une gare qui est un des « London Terminals » où on doit utiliser le London Underground, c'est nécessaire d'acheter un billet avec la destination « London Zone 1 ».

Pour clarifier quelles gares « London Terminals » sont valable pour une origine ou destination, on peut demander à une billetterie.

Les couchettes/Wagons-Lits

Il y a deux opérateurs franchisés de trains avec les wagons-lits en Grand Bretagne. On peut acheter les billets avec une réduction de la carte FIP avec une réservation couchette en contactant l'opérateur de trains directement.

Les réservations couchettes peuvent être achetées d'une billetterie à une gare. Pour tous les services de nuit, vous pouvez commencer votre voyage la veille de la date indiquée dans la case du coupon FIP.²

Les réservations couchettes sont obligatoires pour tous les wagons-lits et on doit les acheter avant de voyager. On peut aussi acheter une réservation pour un siège dans les trains couchettes.

² {Source RST Ref 90-011-032/D7602INC}

Guide pour les visiteurs à Grand Bretagne qui utilisent La Carte Internationale de réduction pour agents de chemin de fer (« La carte FIP »)

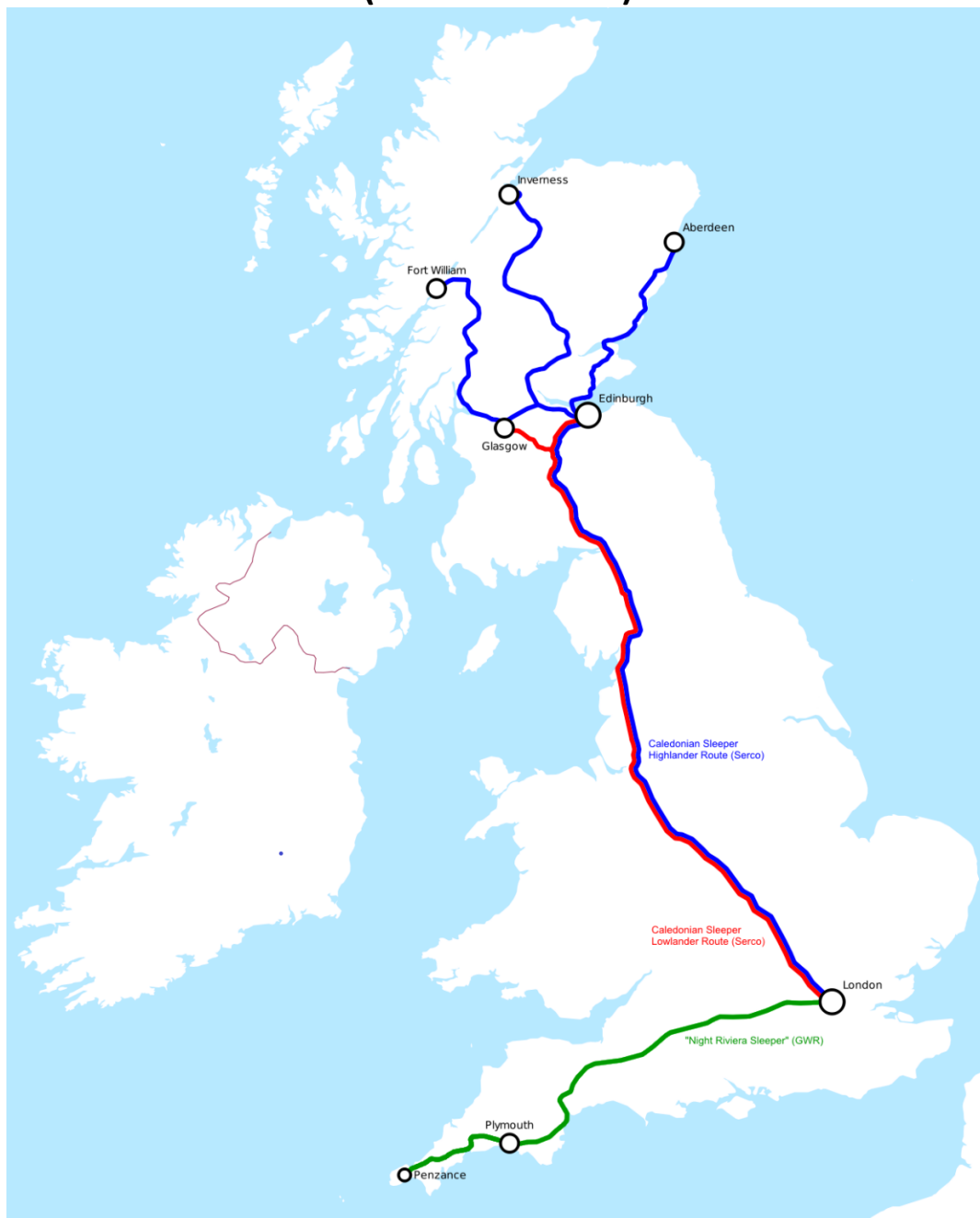


Figure 2 - Wagns-lits en Grand Bretagne

Caledonian Sleeper - Londres en Ecosse

Caledonian Sleeper est l'opérateur pour les services couchettes entre London Euston et plusieurs gares en Ecosse, avec les trains chaque nuit sauf le samedi.

- Le train « Lowland Caledonian Sleeper » voyage entre London Euston, Glasgow, et Édimbourg (le train se sépare / se joint en deux en-route).
- Le train « Highland Caledonian Sleeper » voyage entre London Euston, Aberdeen, Inverness et Fort William (le train se sépare / se joint en trois en-route). Ces trains arrêtent aussi à plusieurs petites gares en-route.



Guide pour les visiteurs à Grand Bretagne qui utilisent La Carte Internationale de réduction pour agents de chemin de fer (« La carte FIP »)

Great Western Railway - Londres à Cornouailles

Great Western Railway est l'opérateur du service « Night Riviera », chaque nuit sauf le samedi, entre London Paddington et Penzance. Les trains arrêtent aussi à d'autres gares en Devon et les Cornouailles.



Night Riviera Sleeper

Voyage à l'île de Wight

Les tarifs réduits FIP ne sont pas valables sur les services de ferry pour l'île de Wight. Si vous vous rendez dans les gares de l'île de Wight, vous aurez besoin de trois billets. Billet à prix réduit FIP pour les voyages en train sur le continent, un billet à tarif public pour traverser Wightlink de Portsmouth à Ryde Pier Head et un billet à tarif réduit FIP pour les voyages en train sur l'île de Wight..

La Photographie et filmer aux gares

Network Rail et tous les opérateurs franchisés et « Open access » ont donné permission pour tous les passionné(e)s de trains de prendre les photos aux gares. Prendre les photos n'est que permis pour l'usage non-commercial. C'est interdit d'utiliser le flash d'un appareil photo. C'est aussi interdit de prendre les photos de l'équipement de sécurité, par exemple les caméras de surveillance.

Pour éviter les soupçons, les passionné(e)s de trains devraient informer le personnel à la gare qu'ils ont l'intention de prendre les photos pour l'usage personnel. C'est possible que ce serait interdit de prendre les photos dans certaines zones d'une gare, ou bien que ce serait complètement interdit de prendre les photos.

Quelques gares plus grandes sont gérées par Network Rail. Les autres sont gérées par une entreprise opérateur des trains.

La politique photographie pour les gares gérées par Network Rail (en anglais) :

networkrail.co.uk/communities/railway-enthusiasts/railway-enthusiasts-and-photography-at-stations/

La liste des gares qui sont gérées par Network Rail (en anglais) :

networkrail.co.uk/communities/passengers/our-stations/

La politique photographie pour les gares qui ne sont pas gérées par Network Rail (en anglais) :

www.nationalrail.co.uk/travel-information/guidance-for-rail-enthusiasts

Offres 2FOR1 pour les détenteurs de billets National Rail

De nombreuses attractions touristiques et touristiques proposent deux billets d'admission adulte pour le prix d'un billet lorsque vous voyagez en train. Des informations en anglais sont disponibles sur daysoutguide.co.uk

Guide pour les visiteurs à Grand Bretagne qui utilisent La Carte Internationale de réduction pour agents de chemin de fer (« La carte FIP »)

days out guide
in association with  National Rail

[Login](#) [Register](#) | [Help](#)

[How to claim your offer ?](#)



[London Days Out](#)

[UK Days Out](#)

[Things To Do](#)

[Ticket Advice](#)



[Home](#) / [Things to do in London](#) / [Landmarks & Historical Sites](#) / [Tower of London](#)

Tower of London



2FOR1



 Landmarks & Historical Sites

Admission: Adult: £29.50

Offer expires: 30/04/2019

Location: Tower Hill, London EC3N 4AB

Phone number: 0844 482 7777

Nearest station: London Fenchurch Street

****2FOR1 offer not valid 13 - 22 April 2019****

Price subject to change 1 March 2019

Journey details

People

How many visitors?

Date 

When are you going?

Station 

Starting train station?

GET VOUCHER

En utilisant le site Web, choisissez l'attraction que vous voulez visiter. Téléchargez et imprimez vos coupons. Voyage en train à l'attraction. Présentez le voucher et votre billet de train pour bénéficier d'une réduction sur les frais d'admission.

La réduction sur le prix d'entrée est disponible si vous voyagez avec des billets à tarif réduit FIP achetés avec la carte à tarif réduit FIP International. Il n'est pas disponible si vous voyagez gratuitement avec les coupons FIP.

Chemins de fer touristique

Certains chemins de fer touristiques offrent un rabais aux détenteurs de la Carte Internationale de réduction pour agents de chemin de fer (FIP carte). Le rabais offert est de 50% sur le tarif public adulte complet. Il s'agit d'un arrangement non contractuel proposé par le biais de la bonne volonté de chaque compagnie de chemin de fer et qui peut être retiré à tout moment.

Les chemins de fer touristiques établissent des horaires saisonniers et ont des journées ordinaires et des journées spéciales. La réduction FIP peut ne pas être disponible certains jours d'événements.

Guide pour les visiteurs à Grand Bretagne qui utilisent La Carte Internationale de réduction pour agents de chemin de fer (« La carte FIP »)

spéciaux. Le site Web de chaque compagnie de chemin de fer aura un calendrier et un horaire indiquant les services proposés.

Presque toutes les compagnies de chemin de fer britanniques ont aboli les logements de 2e classe entre 1875 et 1910, et n'offraient les classes de 1re et 3e classes qu'en 1956. De nombreux chemins de fer touristique ne proposent pas de logements de 2e classe en reconnaissance de cette histoire.

Pour plus d'informations, voir l'annexe E.

Musée national des chemins de fer

Le Musée national des chemins de fer a deux endroits.

- Le musée principal est adjacent à la gare de York. railwaymuseum.org.uk
- Un musée secondaire adjacent à la gare de Shildon appelé *Locomotion* locomotion.org.uk

L'entrée dans les deux musées est gratuite, mais les visiteurs sont encouragés à faire un don volontaire.

Problèmes et plaintes

Si vous rencontrez un problème lors de l'utilisation des installations FIP en Grande-Bretagne, vous devez d'abord en parler à l'opérateur concerné. Des détails sur la manière de contacter chaque opérateur sont disponibles sur leurs sites Web.

Si votre plainte reste non résolue, vous devriez alors la porter devant le médiateur ferroviaire indépendant. Des informations détaillées sur la procédure à suivre sont disponibles sur le site Web railombudsman.org.

Anleitung für Besucher in Großbritanniens mit FIP-Einrichtungen

Einführung

Dieser Leitfaden richtet sich an Besucher Großbritanniens, die FIP-freie und ermäßigte FIP- Tickets nutzen, die von Transportbehörden außerhalb Großbritanniens ausgestellt wurden.

Er deckt inländische Personenverkehrsdienste in England, Wales und Schottland unter der Marke National Rail ab.

Transportleistungen in Nordirland, auf der Isle of Man oder auf den Kanalinseln sowie Transporte zu oder von diesen Orten sind nicht enthalten.

Eurostar-Dienste, durch den Kanaltunnel nach, London St Pancras International zu erreichen, oder Fährverbindungen von europäischen Ländern zu britischen Häfen sind ebenfalls nicht erfasst.

Die FIP-Kennzeichnung für Großbritannien ist GB National Rail.

Haftungsausschluss. - Dieses Dokument ist ein Leitfaden für Besucher Großbritanniens, die den öffentlichen Personenverkehr mit FIP-Einrichtungen nutzen. Es ist kein rechtlich bindendes Dokument. Rail Staff Travel ist stets bemüht, diese Informationen auf dem neuesten Stand zu halten. Die Betreiber von Eisenbahnzügen haben jedoch die Freiheit, einige Aspekte der von ihnen angebotenen Dienstleistungen kurzfristig zu ändern.

Öffentliche Personenverkehrsdienste in Großbritannien

National Rail sollte nicht mit Network Rail verwechselt werden.

Personenverkehrsdienste, für die FIP-Fazilitäten gelten, werden von Franchise- und Konzessionsbetreibern, die von der britischen Regierung reguliert werden, sowie einigen Open-Access-Betreibern angeboten.

Die Rail Delivery Group verwaltet die Marke National Rail. Die Marke National Rail bietet Reiseveranstaltungs-, Fahrkarten- und Einzelhandelsvereinbarungen für alle Betreiber an. Einzelne Bahnbetreiber verkaufen Fahrkarten an Bahnhöfen und an Bord von Zügen unter der Marke National Rail. Um sicherzustellen, dass der Kunde das beste Preis-Leistungs-Verhältnis erhält, muss er Fahrscheine für alle Dienstleistungen unparteiisch verkaufen.

Network Rail besitzt und wartet die Schieneninfrastruktur (Gleise, Brücken, Tunnel, Signalanlagen und einige größere Bahnhöfe) in Großbritannien und betreibt keine Personenzüge.

Verfügbarkeit von FIP-Einrichtungen bei Zugbetreibern in Großbritannien

FIP-Erleichterungen sind verfügbar von:

- allen in Anhang A aufgeführten Franchise- und Konzessionszugbetreibern
- den in Anhang B gezeigten Zugbetreiber mit freiem Zugang

FIP-Einrichtungen sind nicht verfügbar für:

- die in Anhang C gezeigten Zugbetreiber mit freiem Zugang

Anleitung für Besucher in Großbritanniens mit FIP-Einrichtungen

- andere Betreiber, die eine Verbindung mit, in unmittelbare Nähe zu, National Rail - Anbieter, wie städtische U - Bahn haben, Bahnsysteme und Transportdienste, wie in Anhang D angeben
- Ausflugs- und Bahntouren, die gelegentlich im nationalen Schienennetz verkehren

FIP-Einrichtungen können nur für Urlaubsreisen genutzt werden. Es ist verboten, sie zu Geschäfts-, Handels-, Dienst- oder Arbeitswegen zu Arbeits- oder Wohnzwecken zu nutzen.

National Rail-Webseite

National Rail betreibt eine Reise Anfrage Website nationalrail.co.uk und App auf iOS und Android, die verwendet werden können Fahrten zu planen und Auskunft zu öffentlichen Tarifen für National Rail Bahnbetreiber zu finden.

Ermäßigte FIP-Tarife werden auf der National Rail-Website nicht angezeigt oder verkauft .

Nationale Schienenverkehrsbedingungen

Die Rechte und etwaigen Einschränkungen dieser Rechte für Passagiere, die mit FIP- Einrichtungen reisen, werden durch die National Rail Conditions of Travel geregelt. nationalrail.co.uk/nrcot (nur Englisch).

Keine reisebeschränkungen für Inhaber von FIP-Einrichtungen

Eine kleine Anzahl stark beanspruchter Dienste steht den Inhabern von Bahnpersonal in Großbritannien nicht zur Verfügung.

Für Inhaber von FIP-Anlagen gibt es keine Beschränkungen.

Eisenbahnfahrpläne

Jeder Zugbetreiber stellt gedruckte Fahrpläne für seine Leistungen aus. Diese sind in der Regel an den Kassen der Bahnhöfe kostenlos erhältlich.

Es ist üblich, separate Seiten für Wochentagsdienste, Samstags- und Sonntagsdienste zu haben.

Die in den Fahrplänen verwendeten Symbole sind in Anhang F dokumentiert.

FIP Gutscheine in Großbritannien

FIP-Gutscheine können für Dienste aller Betreiber verwendet werden, die FIP-Einrichtungen akzeptieren, sofern dies nicht durch die Reisebeschränkungen für Eisenbahnpersonal verboten ist.

FIP-Gutscheine funktionieren nicht an automatischen Ticketbarrieren und müssen dem Bahnhofspersonal vorangezeigt werden, um Zugang zu den Plattformen zu erhalten.

Einige innerstädtische, Pendler und Regionalzüge im ländlichen Raum beinhalten keine 1. Klasse.

Anleitung für Besucher in Großbritanniens mit FIP-Einrichtungen

Internationale Reduzierte Rate Karte (FIP Card) ermäßigte Fahrkarten in Großbritannien

In der Regel werden Fahrkarten von Bahnbetreibern 12 Monate vor dem Reisedatum zum Kauf angeboten.

Ermäßigte Fahrkarten erhalten Sie gegen Vorlage der FIP-Karte und des Reisepasses als Identitätsbeleg bei den Schalterstellen der Bahnhöfe.

FIP-ermäßigte Fahrkarten werden nicht in Zügen ausgestellt, außer in bestimmten ländlichen Gebieten, in denen Fahrkarten nur in Zügen ausgestellt werden („Pay-Trains“). Außerhalb dieser Gebiete können Inhaber einer FIP-Karte, die ohne Fahrkarte in einen Zug einsteigen, dazu verpflichtet werden, eine Vollpreiskarte zu kaufen und einen Aufpreis zu zahlen. An Bahnhöfen mit Hinweisen auf die Inkraftsetzung eines Strafgeldsystems, müssen die Fahrscheine vor dem Einsteigen in einen Zug gekauft werden. Andernfalls kann ein Strafzettel für Strafverfolgung vor Gericht ausgestellt werden.

FIP-ermäßigte Tickets können nicht an Bahnhofsautomaten oder bei Online-Händlern erworben werden.

Viele suburban, Pendler und Dienstleistungen im ländlichen Raum haben keine 1. Klasse Unterkunft, auch auf Strecken, auf denen der 1. Klasse Tarife zur Verfügung stehen.

Ermäßigte Tickets sind für die Benennung der automatischen Ticketbarrieren an Bahnhöfen encoded.

Ticketvalidierung und -prüfung

Fahrscheine sind an den auf den Tickets abgedruckten Reisetagen gültig.

Es ist nicht erforderlich, dass die Fahrgäste die ermäßigten FIP-Tickets vor der Reise mit plattformbasierten Stempelgeräten (z. B. Compositeurs) selbst validieren.

Tickets müssen möglicherweise an automatischen Ticket-Barrieren präsentiert oder in diese eingeführt werden, um Zugang zu den Stationsplattformen zu erhalten.

Ticket Inspektoren und Revenue Schutz Inspektoren können Tickets an Bord der Züge kontrollieren und abstempeln oder clippen. Ein gültiger Reisepass, der mit dem Namen in der FIP-Dokumentation übereinstimmt, muss als Nachweis vorgelegt werden.

Tickets, die am Endpunkt einer Fahrt an einer automatische Ticketbarrieren präsentiert werden, können je nach Konfiguration der Ticketbarriere von der Ticketbarriere einbehalten werden.

FIP-reduzierte Ticketarten

Die FIP-Karte bietet in der Regel einen Rabatt von 50% auf bestimmte Ticketarten.

Anleitung für Besucher in Großbritanniens mit FIP-Einrichtungen

Aktive Mitarbeiter, einschließlich Ehepartner und unterhaltsberechtigter Kinder, der belgischen (NMBS / SNCB) und der französischen Staatsbahn (SNCF) erhalten eine Ermäßigung von 75%.

Aktive und pensionierte Mitarbeiter der Irish Rail (CIE) und der Northern Ireland Railways (NIR), darunter auch Ehepartner und unterhaltsberechtigter Kinder, erhalten eine Ermäßigung von 75%.

Es gibt fünf Hauptkategorien von Fahrkarten in Großbritannien (ausgenommen Fahrscheine für Schlafwagen). Nur einige haben Anspruch auf FIP-Rabatt. Das Ticketbüro informiert Sie über das am besten geeignete Ticket, wenn Sie die gewünschte Reise bestätigen können.

Open Tickets

Einzel- und Retoureticket in 1. Klasse und Standardklasse. Diese können vor dem geplanten Reisedatum erworben werden.

Kurzstreckenzugkarten sind nur für einen Tag gültig. Bei Langstreckenzugtickets ist das Einzelticket normalerweise für 2 Tage gültig, der Hinfahrt Teil einer Hin- und Rückfahrkarte ist normalerweise für 5 Tage gültig, und der Rückfahrtanteil ist normalerweise für 1 Monat gültig. Am Reisetag gibt es keine Zeitbeschränkungen.

Sie können Ihre Reise in eine oder in beide Richtungen unterbrechen, solange die Reise innerhalb der Gültigkeitsdauer des Tickets abgeschlossen ist.

Beim Kauf von Anytime-Tickets können Sie kostenlos Sitzplätze reservieren. Reservierungen können normalerweise nicht am Reisetag vorgenommen werden.

FIP-Rabatte sind verfügbar.

Off-Peak Tickets

Einzel- und Retoureticket in 1. und Standardklasse - Diese können vor dem geplanten Reisedatum erworben werden.

Kurzstreckenzugkarten sind nur für einen Tag gültig. Bei Langstreckenzugtickets ist das Einzelticket normalerweise für 1 Tag gültig, der Hinfahrt Teil einer Hin- und Rückfahrkarte ist normalerweise für 1 Tag gültig, und der Rückfahrtanteil ist normalerweise für 1 Monat gültig. Am Reisetag gibt es keine Zeitbeschränkungen.

Die Nutzung dieser Tickets unterliegt zeitlichen Beschränkungen. Tickets sind normalerweise nicht in den Stoßzeiten am Morgen gültig und manchmal auch nicht in den Abendstunden. Zeitliche Einschränkungen werden durch einen 2-Zeichencode angezeigt, der auf dem Ticket aufgedruckt ist. Details zu den einzelnen Beschränkungscode sind gezeigt verfügbar bei nationalrail.co.uk/xx (nur auf Englisch verfügbar) wobei xx = Beschränkungscode auf dem Ticket gedruckt ist.

Einige Off-Peak-Fahrkarten erlauben keine Unterbrechung der Reise. Bitte überprüfen Sie beim Kauf Ihres Tickets am Bahnhof, ob Sie Ihre Reise unterbrechen müssen.

Beim Kauf von Off-Peak-Tickets können Reservierungen kostenlos vorgenommen werden. Reservierungen können normalerweise nicht am Reisetag vorgenommen werden.

Anleitung für Besucher in Großbritanniens mit FIP-Einrichtungen

FIP-Ermäßigungen für Off-Peak-Tickets sind verfügbar.

Vorkarten

Diese sind nicht erstattungsfähig, Quote - kontrollierte Einzeltickets mit verbindlichen Reservierungen und sind in der Regel zumindest am Tag vor der Reise gekauft.

Sie können vor der Reise gegen Zahlung einer Bearbeitungsgebühr gegen ein flexibleres Ticket (Off-Peak oder Anytime) umgetauscht werden.

Dies sind die billigsten Tickets, die verfügbar sind, und können günstiger sein als ein günstiger FIP-Tarif oder Anytime, wenn Sie Ihre Reise im Voraus planen können.

Vorabkarten sind nur an dem Datum und den auf den Tickets angegebenen Zugdienst (en) gültig. Ihre Reise kann Reisen mit Vorort-, Pendler- und ländlichen Zügen beinhalten, bei denen die Plätze nicht reservierbar sind. Wenn dies der Fall ist, müssen Sie mit dem in der Reservierung angegebenen Zug reisen, es wird jedoch kein bestimmter Sitzplatz gebucht.

Reiseunterbrechung ist nicht erlaubt.

FIP-Rabatte sind nicht für Vorverkaufskarten verfügbar.

Rovers und Rangers

Unbegrenzte Fahrt innerhalb eines bestimmten Bereichs für einen definierten Zeitraum. Es kann zeitliche Einschränkungen geben, wann Sie reisen können.

Eine Liste der Produkte finden Sie unter nationalrail.co.uk/rovers (Websiteseiten nur in englischer Sprache).

FIP-Rabatte sind für einige Rovers und Rangers verfügbar.

Saisonkarten und London-Karten

Unbegrenzte Fahrt zwischen zwei Stationen für einen bestimmten Zeitraum oder innerhalb der angegebenen Londoner Zonen für einen bestimmten Zeitraum.

FIP-Rabatte sind nicht verfügbar.

Kunden mit Behinderungen

Es gibt Preisnachlässe für Begleitpersonen, die einen Kunden mit bestimmten Behinderungen begleiten. Sie können diese Rabatte an einer Station anfordern, wenn Sie Ihre FIP-Einrichtungen nutzen und Ihr Begleiter keine FIP-Einrichtungen hat.

Wenn Sie ein offizielles Dokument in Ihrem Heimatland haben, das bestätigt, dass Sie als blind oder sehbehindert registriert sind, müssen Sie dies beim Kauf Ihres Tickets und auf Reisen vorzeigen. Sie

Anleitung für Besucher in Großbritanniens mit FIP-Einrichtungen

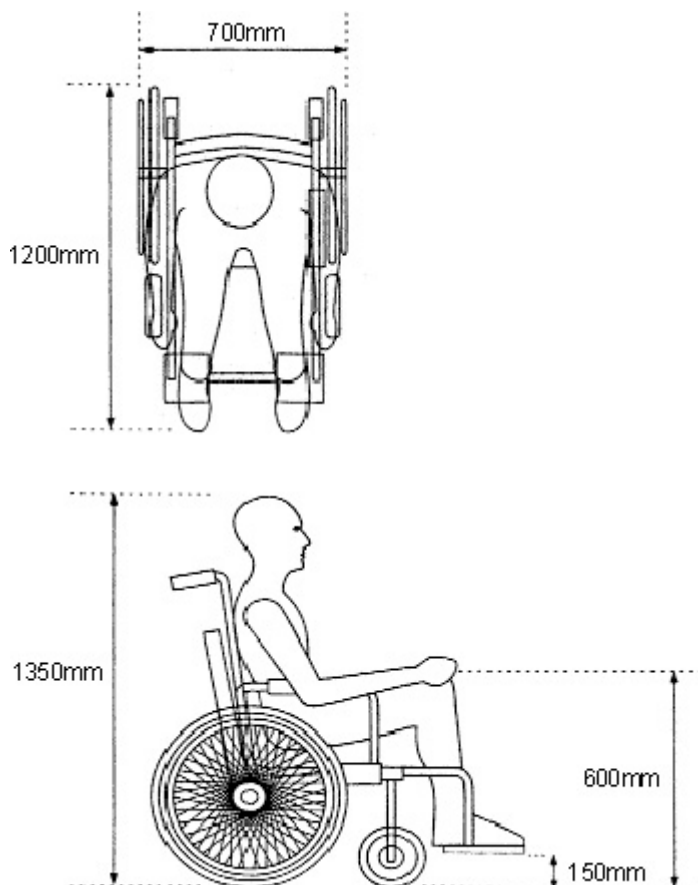
können dann für einen Begleiter eine Ermäßigung auf den Erwachsenentarif verlangen. Es gibt keine Rabatte auf Kindertarife.

Blinde, sehbehinderte oder taube Passagiere können mit einem Begleithund reisen, und der Hund kann kostenlos reisen. Hunde müssen jedoch stets an der Leine geführt werden und dürfen nicht auf Sitzen reisen. Begleithunde sind in Buffet- und Restaurantwagen zugelassen und dürfen auch in Schlafgelegenheiten mitgenommen werden, sofern die Zuggesellschaft 48 Stunden im Voraus informiert wird.

Wenn Sie während Ihrer Reise in Ihrem eigenen Rollstuhl bleiben müssen, können Sie für einen Begleiter eine Ermäßigung auf die Erwachsenentarife oder für Kinder verlangen. Sie benötigen keine GB-Karte für Behinderte. Die Rabatte werden auf der Website für Behinderte Personenkarten (nur auf Englisch) erläutert:

disabledpersons-railcard.co.uk/using-your-railcard/other-discounts/

Die meisten Züge können Rollstühle aufnehmen, die den gesetzlichen Bestimmungen für den öffentlichen Verkehr entsprechen (700 mm breit und 1200 mm lang). Einige ältere Züge nehmen nur Rollstühle mit einer maximalen Breite von 550 mm auf.



Damit Rollstühle in die Züge ein- und aussteigen können, benötigen die meisten Züge tragbare Rampen zwischen Plattform und Zug. In jedem Zug steht den Rollstuhlfahrern eine begrenzte Anzahl von Stellplätzen zur Verfügung. Wenn Sie im Rollstuhl reisen, müssen Sie im Voraus Hilfe buchen.

Anleitung für Besucher in Großbritanniens mit FIP-Einrichtungen

Mobilitätsstühle gibt es in einer Vielzahl von Ausführungen. Viele haben Probleme in Zügen, darunter: Rückwärtsfahren auf Rampen; schwerer zu sein als die Rampe tragen wird; oder sich nicht sicher in einer Kutsche bewegen können. Einige Unternehmen verfügen über Züge, die keine Mobilitätsstühle transportieren können.

Kunden, die Unterstützung beim Ein- und Aussteigen aus den Zügen benötigen, sollten sich vor dem Reisetag mit der entsprechenden Zugbetreibergesellschaft in Verbindung setzen, um sicherzustellen, dass die erforderliche Unterstützung gebucht wird. Alternativ können Sie das Assisted-Travel-Formular (nur in Englisch) unter folgender Adresse ausfüllen:

disabledpersons-railcard.co.uk/using-your-railcard/passenger-assist/

Reservierungen

Sitzplatzreservierungen sind für die meisten Inter city Fernzügen verfügbar. Sie sind normalerweise nicht für Vorort-, Pendler- oder ländliche Dienste verfügbar. Sie müssen normalerweise vor dem Reisetag gebucht werden.

Sitzplatzreservierungen können kostenlos bei Buchung eines Tickets für Anytime oder Off-Peak vorgenommen werden. Das Halten einer Sitzplatzreservierung zwingt Sie nicht, mit einem bestimmten Zug zu reisen, aber Sie sollten eine Reservierung stornieren, wenn Sie sie nicht nutzen möchten. Sie können eine Sitzplatzreservierung an einem Ticketschalter kostenlos ändern, wenn sich Ihre Reisepläne ändern.

Sitzplatzreservierungen sind im Kauf von Advance-Tickets enthalten und gelten nur zu dem auf dem Ticket bzw. den Tickets angegebenen Datum und Zugservice.

Sitzplatzreservierungen können an einem Ticketschalter vorgenommen werden, wenn Sie ein FIP-Gutscheine, ein Rover- oder Ranger-Ticket besitzen.

Reservierungen für Schlafplätze sind obligatorisch.

Fahrräder

Die meisten Zugbetreiber gestatten die Mitnahme von Fahrrädern. Der Platz ist begrenzt. In einigen Fällen ist eine Gebühr zu zahlen und eine Fahrradreservierung erforderlich. Es ist normalerweise erforderlich, das Fahrrad in einem bestimmten Teil des Zuges abzustellen, der sich möglicherweise nicht in der Nähe Ihres Sitzes befindet. Sie sollten sich vor der Reise bei einem Ticketbuchungsbüro nach Details erkundigen.

Gepäck

Gegenstände, die kostenlos mitgeführt werden können:

- 2x Gepäckstücke, Gegenstände oder Musikinstrumente, die nicht größer als 90 x 70 x 30 cm und nicht größer als 50 kg sind.
- 1x zusätzliches Handgepäck, das bei Bedarf auf dem Schoß des Passagiers gehalten werden kann

Anleitung für Besucher in Großbritanniens mit FIP-Einrichtungen

- Kinderwagen oder Kinderbett, das zusammengeklappt werden muss
- Manuelle und motorbetriebene Rollstühle. Sofern nicht verwendet, müssen sie gefaltet und in dem für Rollstühle vorgesehenen Bereich aufbewahrt werden.

Artikel, die nach Ermessen der Zugbetreiber zugelassen sind:

- Zusätzliche Gepäckstücke, Artikel oder Musikinstrumente über 30 x 70 x 90 cm
- Kanus, Segelbretter, Skier und Skiboards
- Surfbretter - (nur im Gepäckwagen der Great Western Railway von London nach Newquay, St. Ives, Penzance und Barnstaple. Eine Gebühr ist zu zahlen.)
- Sportausrüstung einschließlich Golfschlägern
- Entladene Waffen

Artikel nicht erlaubt:

- Möbel größer als 30 x 70 x 90 cm.
- Motorräder, Mopeds und Motorroller
- Gefahrgut - brennbare Flüssigkeiten, Sprengstoffe
- Geladene Waffen und Schusswaffen

Rückerstattungen

Anytime-, Off-Peak-, Rovers- und Ranger-Tickets, die nicht mehr benötigt werden, können vor dem Abreisedatum zur Rückerstattung eingereicht werden.

Anträge auf Erstattung müssen bei der Eisenbahngesellschaft eingereicht werden, von der sie gekauft wurden. Dies kann an einem Bahnhofsschalter gemacht werden. Die Verwaltungsgebühr beträgt maximal £10,00 pro Ticket.

Vorauszahlungstypen sind nicht erstattungsfähig.

Um und durch London reisen

Transport for London (TfL) ist die lokale Regierungsbehörde, die für die meisten (aber nicht alle) Transportdienste im Großraum London verantwortlich ist. Sie betreibt London Busse, die Londoner U-Bahn (U-Bahn), London Trams, die Docklands Light Railway (DLR), London Overground, die TfL-Eisenbahn, die Emirates Air Line-Seilbahn und einige Bootsservices auf der Themse.

Elizabeth Line

Die Elizabeth Line ist eine Konzession von National Rail. FIP-Einrichtungen stehen für TfL-Bahndienste zur Verfügung. An Bahnhöfen zwischen London Paddington und Abbey Wood gibt es keine Fahrkartenschalter.



London Overground

London Overground ist eine Konzession von National Rail. FIP-Einrichtungen gelten für London Overground-Dienste.



Anleitung für Besucher in Großbritanniens mit FIP-Einrichtungen

London Busse, Docklands Light Railway, London Straßenbahnen, IFS cloud Seilbahn und Fluss Themse Bootsdienste

FIP Einrichtungen sind nicht auf London Buses, Dockland Light Railway s, London Trams, IFS cloud Seilbahn und Themse Boot Dienstleistungen.

Londoner U-Bahn

FIP-Einrichtungen sind in der Londoner U-Bahn mit folgender Ausnahme nicht verfügbar:



National Rail-Tickets, bei denen ein Passagier von einem Londoner Terminal zum anderen umsteigen muss, können die Londoner U-Bahn nur zwischen diesen Londoner Terminalstationen nutzen. Die Unterbrechung der Fahrt an den Londoner U-Bahnhöfen ist nicht gestattet.

Tickets, die in der Londoner U-Bahn für den Transfer zwischen einem National Rail London Terminal und einem anderen Terminal verwendet werden können, sind mit ✕ gekennzeichnet (Malteserkreuz) oder † (Dolch).

Londoner Terminals

Einige Tickets nach London werden zu einer bestimmten Londoner Terminal-Station (z. B. Kings Cross) berechnet. Andere Tickets nach London kosten eine Gruppe namens London Terminals. London Terminals kann entweder als Ausgangs- oder Ziel auf Karten gedruckt werden.

Es gibt 18 Stationen in der Londoner Terminals-Gruppe, Blackfriars, Cannon Street, Charing Cross, Thameslink, Euston, Fenchurch Street, Kings Cross, Liverpool Street, Londoner Brücke, Marylebone, Moorgate, Old Street, Paddington, St. Pancras, Vauxhall, Victoria, Waterloo, Waterloo East.

Tickets oder von London Terminals sind einige der Stationen in der Gruppe allgemein verfügbar oben aufgeführt, die nach oder von auf National Rail auf einem einigermaßen direkten Weg fahren. Sie sind nicht für die Nutzung der Londoner U-Bahn von oder zu anderen Londoner Terminalstationen verfügbar.

Wenn Sie zu einem Londoner Terminal-Bahnhof fahren möchten, der mit der Londoner U-Bahn verbunden ist, sollte Ihr Ticket den Ursprung oder das Ziel der Zone U1 anzeigen, damit Sie mit der Londoner U-Bahn in der Zone 1 fahren können.

Um zu klären, welche London Terminal-Stationen Sie für eine bestimmte Fahrt nutzen können, erkundigen Sie sich bitte beim Ticketschalter beim Ticketschalter.

Sleeper Dienste

Es gibt zwei konzessionierte Betreiber von Schläfer Dienste in Britain. FIP ermäßigte Karten, die Koje Reservierungen sind gekauft werden durch direkt mit dem Zug Operating Company kontaktieren.

Anleitung für Besucher in Großbritanniens mit FIP-Einrichtungen

Schlafplätze für Inhaber von FIP-Gutscheinen können an einem Bahnhofsschalter gekauft werden. Bei allen Sleeper-Diensten können Sie Ihre Reise am Abend vor dem im FIP-Gutschein Feld angegebenen Datum beginnen.³

Sleeper-Liegeplätze sind für alle Sleeper-Services obligatorisch, und Liegeplatz-Zuschläge müssen im Voraus bezahlt werden. Übernachtungsmöglichkeiten sind ebenfalls verfügbar.

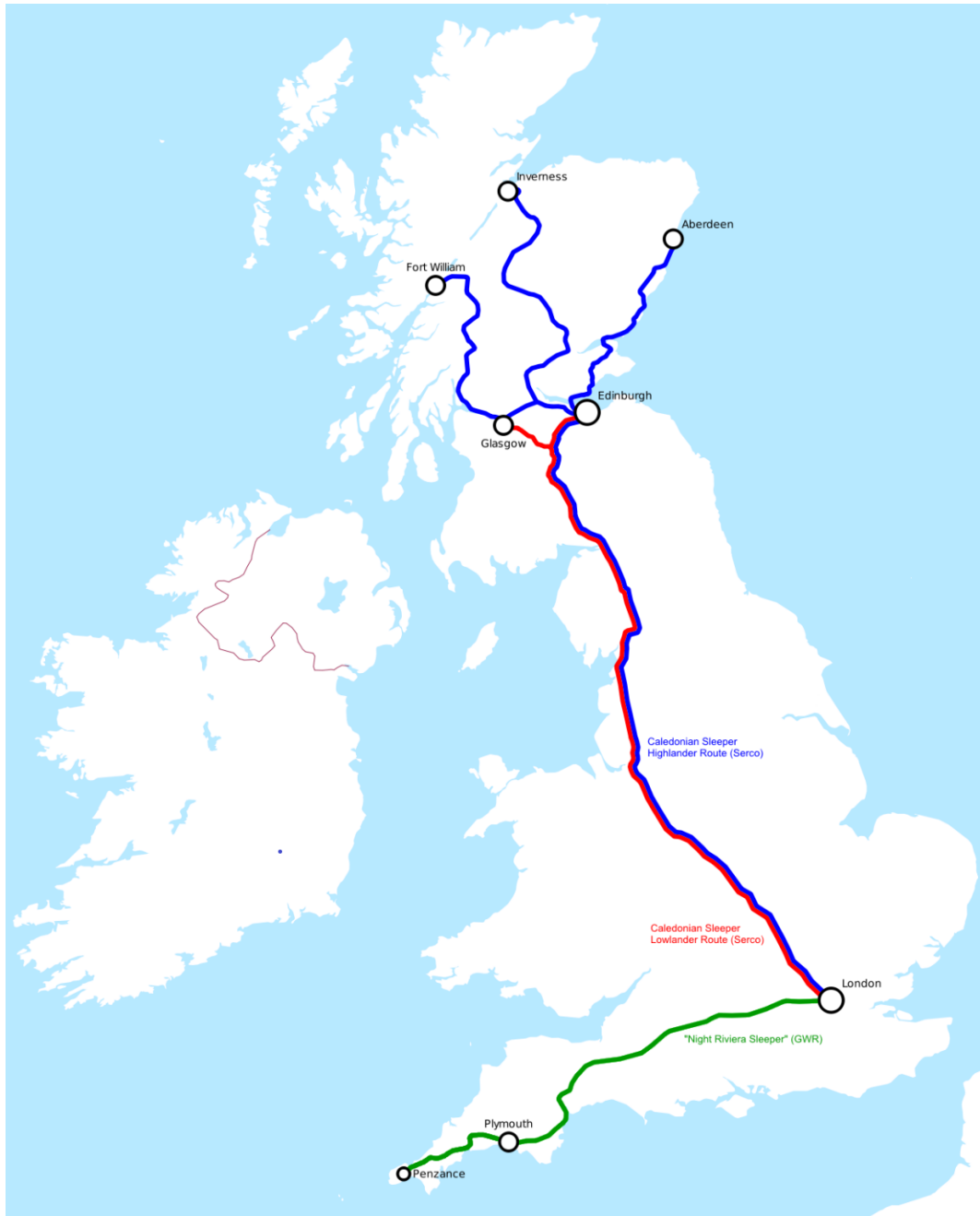


Figure 3 - Schläfer Dienste in Großbritannien

³ {Source RST Ref 90-011-032/D7602INC}

Anleitung für Besucher in Großbritanniens mit FIP-Einrichtungen

Caledonian Sleeper – London nach Schottland

Caledonian Sleeper betreibt zwei Verbindungen zwischen London Euston und verschiedenen Orten in Schottland mit Abfahrten am Sonntag bis einschließlich Frida und Übernachtungen.

- Die (Lowland) Caledonian Sleeper, die verkehrt zwischen London Euston, Glasgow und Edinburgh (Zug Splits / schließt sich in zwei en -route).
- Der (Hochland) Caledonian Sleeper, die zwischen London Euston und Aberdeen, Inverness und Fort William läuft (Zug spl seine / schließt sich in drei en -route). In drei Abschnitten in Schottland halten die Highland-Züge an vielen Zwischenstationen.



Great Western Railway – London nach Cornwall

Die Great Western Railway betreibt den Night Riviera Service mit Abfahrten von Sonntag bis Freitag inklusive zwischen London Paddington und Penzance, die die wichtigsten Stationen in Devon und Cornwall anrufen.



Reise zur Isle of Wight

Ermäßigte FIP-Tarife gelten nicht für Fährverbindungen zur Isle of Wight. Wenn Sie zu Bahnhöfen auf der Isle of Wight reisen, benötigen Sie drei Tickets. FIP-Ticket mit Ermäßigung für Bahnreisen auf dem Festland, ein Ticket zum öffentlichen Tarif für die Überquerung von Wightlink von Portsmouth nach Ryde Pier Head und ein FIP-Ticket mit Ermäßigung für Bahnreisen auf der Isle of Wight.

Fotografieren und Filmen an Stationen

Network Rail und alle britischen Train Opera Companies begrüßen Bahnliebhaber an ihren Bahnhöfen. Photographen sind nur für den nicht kommerziellen Gebrauch erlaubt. Das Fotografieren mit Blitz ist ebenso verboten wie das Fotografieren von sicherheitsrelevanten Geräten wie CCTV-Kameras.

Um den Verdacht zu vermeiden, sollten Enthusiasten das Stationspersonal über ihre Absicht informieren, Fotos für den persönlichen Gebrauch zu machen. Je nach Betriebs- oder Sicherheitsanforderungen kann y ou eb gebeten, einen anderen Teil der Station zu bewegen oder die Station ganz zu verlassen.

Einige größere Stationen werden von Network Rail verwaltet. Die restlichen Stationen werden von einer geeigneten Eisenbahnverkehrsgesellschaft verwaltet.

Die Fotografierichtlinien für Stationen, die von Network Rail verwaltet werden, finden Sie hier. networkrail.co.uk/communities/railway-enthusiasts/railway-enthusiasts-and-photography-at-stations

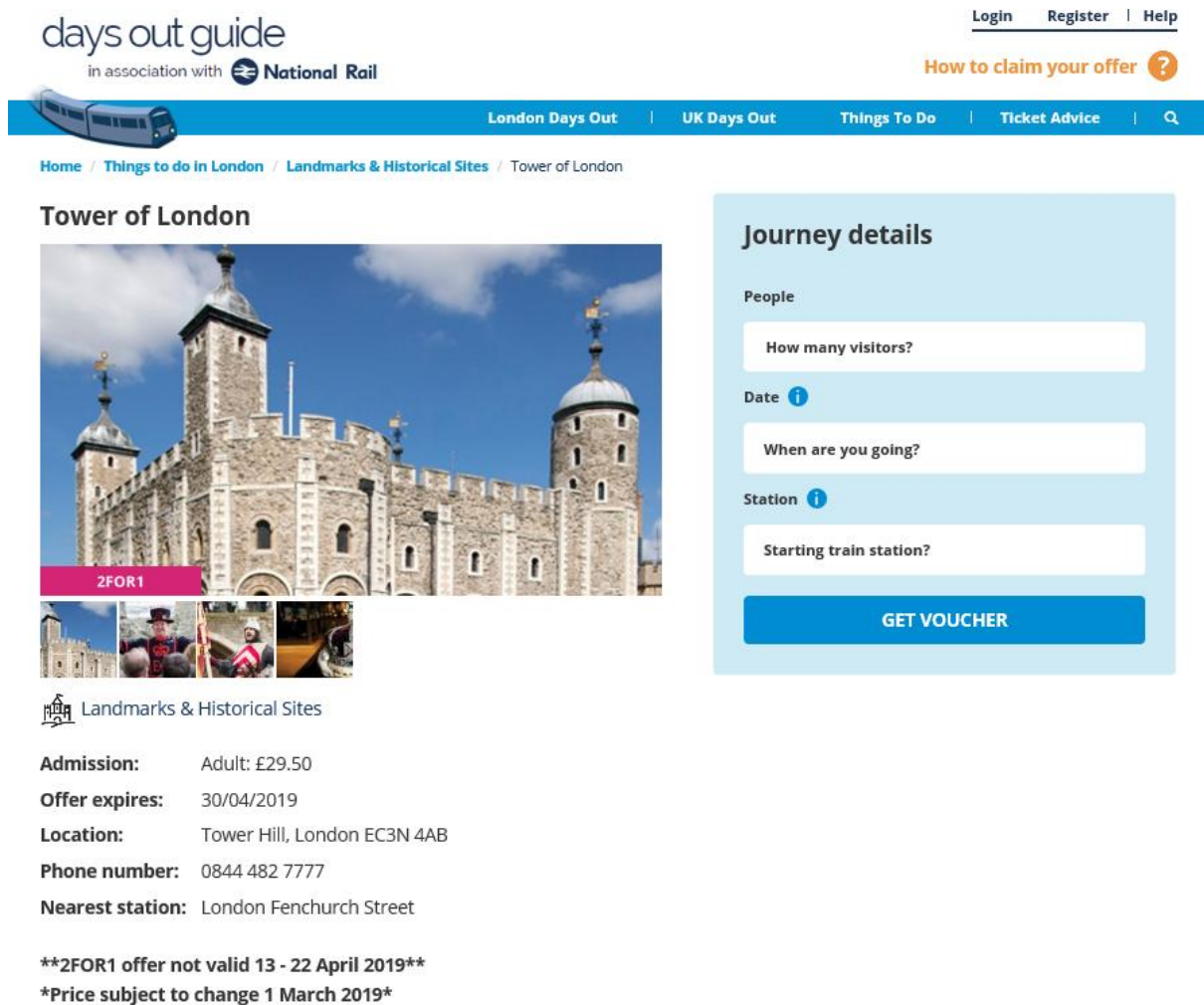
Die Liste der von Network Rail verwalteten Stationen finden Sie hier. networkrail.de/communities/passgers/our-stations/

Anleitung für Besucher in Großbritanniens mit FIP-Einrichtungen

Die Fotografierichtlinien für andere Stationen des National Rail-Netzwerks finden Sie hier : www.nationalrail.co.uk/travel-information/guidance-for-rail-enthusiasts

2FOR1-Angebote für Inhaber von National Rail-Tickets

Viele Freizeit- und Touristenattraktionen bieten zwei Eintrittskarten für Erwachsene zum Preis von einer, wenn Sie mit dem Zug reisen. Informationen in englischer Sprache finden Sie unter daysoutguide.co.uk



The screenshot shows the 'days out guide' website interface. At the top, there are links for 'Login', 'Register', and 'Help'. A blue navigation bar contains 'London Days Out', 'UK Days Out', 'Things To Do', and 'Ticket Advice'. The main content area is titled 'Tower of London' and features a large image of the tower with a '2FOR1' badge. Below the image are smaller thumbnails. To the right is a 'Journey details' form with fields for 'How many visitors?', 'When are you going?', and 'Starting train station?', followed by a 'GET VOUCHER' button. Below the main image, there is a 'Landmarks & Historical Sites' icon and a list of details: Admission: Adult: £29.50, Offer expires: 30/04/2019, Location: Tower Hill, London EC3N 4AB, Phone number: 0844 482 7777, Nearest station: London Fenchurch Street. At the bottom of the offer details, it states: '**2FOR1 offer not valid 13 - 22 April 2019**' and '*Price subject to change 1 March 2019*'.

Wählen Sie über die Website die Attraktion aus, die Sie besuchen möchten. Laden Sie Ihre Gutscheine herunter und drucken Sie sie aus. Fahren Sie mit dem Zug zur Attraktion. Legen Sie den Gutschein und Ihre Fahrkarte vor, um eine Ermäßigung auf den Eintrittspreis zu erhalten.

Der Rabatt auf die Eintrittsgebühr ist verfügbar, wenn Sie mit FIP-vergünstigten Tickets reisen, die mit der FIP International Reduced Rate Card gekauft wurden. Es ist nicht verfügbar, wenn Sie mit FIP-Coupons kostenlos reisen.

Anleitung für Besucher in Großbritanniens mit FIP-Einrichtungen

Museumsbahn

Einige Museumsbahn bieten Inhaber der Internationale Reduzierte Rate Karte (FIP Karte) einen Rabatt an. Der angebotene Preisnachlass beträgt 50% des gesamten öffentlichen Erwachsenentarifs. Dies ist eine außervertragliche Vereinbarung, die durch den Goodwill einer jeden Eisenbahnlinie angeboten wird und jederzeit widerrufen werden kann.

Museumsbahn haben saisonale Fahrpläne und haben gewöhnliche Tage und Tage für besondere Anlässe. Der FIP-Rabatt ist möglicherweise an Tagen für besondere Veranstaltungen nicht verfügbar. Auf der Website jeder Eisenbahn werden ein Kalender und ein Zeitplan mit den angebotenen Diensten angezeigt.

Nahezu alle Eisenbahngesellschaften in Großbritannien schafften die Unterbringung der 2. Klasse zwischen 1875 und 1910 und boten bis 1956 nur die 1. und 3. Klasse an. Viele Museumsbahn bieten keine 2. Klasse für diese Geschichte.

Weitere Informationen finden Sie in Anhang E.

Nationales Eisenbahnmuseum

Das Nationales Eisenbahnmuseum hat zwei Standorte.

- Das Hauptmuseum befindet sich neben dem Bahnhof York. railwaymuseum.org.uk
- Ein sekundäres Museum neben dem Bahnhof Shildon mit dem Namen *Locomotion* locomotion.org.uk

Der Eintritt in beide Museen ist kostenlos, obwohl die Besucher zu einer freiwilligen Spende aufgefordert werden.

Probleme und Beschwerden

Wenn bei der Verwendung von Rail Staff Travel-Einrichtungen in Großbritannien ein Problem auftritt, sollten Sie zuerst das Problem mit dem betreffenden Inhaltsverzeichnis ansprechen. Einzelheiten zur Kontaktaufnahme mit den einzelnen Inhaltsverzeichnissen finden Sie auf ihren Websites.

Bleibt Ihre Beschwerde ungelöst, sollten Sie Ihre Beschwerde beim unabhängigen Ombudsmann von Rail einreichen. Details dazu finden Sie auf der Website railombudsman.org

Die deutsche Version dieses Dokuments ist eine Übersetzung des Originals in englischer Sprache und dient nur zu Informationszwecken. Im Falle einer Abweichung hat das englische Original Vorrang.

Guida per i visitatori in Gran Bretagna che utilizzano i servizi FIP

Introduzione

Questa guida è destinata ai visitatori della Gran Bretagna che utilizzano i servizi FIP gratuiti e biglietti scontati FIP emessi da compagnie di trasporto al di fuori della Gran Bretagna.

Questa guida copre i servizi di trasporto passeggeri nazionali in Inghilterra, Galles e Scozia con il marchio National Rail.

Non copre i servizi di trasporto nell'Irlanda del Nord, nell'Isola di Man o nelle Isole del Canale, o il trasporto da o verso questi luoghi.

Inoltre, non copre i servizi Eurostar che utilizzano il tunnel sotto la Manica per raggiungere Londra St Pancras International o i servizi di traghetti dai paesi europei verso i porti britannici.

L'identificazione FIP per la Gran Bretagna è GB National Rail.

Clausola di esonero da responsabilità. Questo documento è una guida per i visitatori in Gran Bretagna che utilizzano servizi di trasporto passeggeri con servizi FIP. Non è un documento legalmente vincolante. Rail Staff Travel agisce in ogni modo possibile per mantenere le informazioni accurate e aggiornate, ma le compagnie dei treni passeggeri hanno la libertà di modificare alcuni aspetti dei servizi che forniscono con breve preavviso.

Questo è un documento tradotto, in caso di ambiguità, errori o omissioni, l'inglese originale ha la precedenza

Servizi ferroviari passeggeri in Gran Bretagna

National Rail non deve essere confuso con Network Rail.

I servizi di trasporto ferroviario passeggeri su cui i servizi FIP sono validi sono forniti da compagnie in franchising e concessionari regolamentati dal governo del Regno Unito, e da alcune compagnie ad accesso aperto.

Rail Delivery Group gestisce il marchio National Rail. Il marchio National Rail fornisce servizi di pianificazione del viaggio, biglietteria e vendita secondo accordi tra tutti gli operatori. Le singole compagnie ferroviarie vendono i biglietti alle stazioni e direttamente a bordo dei treni sotto il marchio National Rail. Per garantire che il passeggero ottenga il miglior rapporto qualità-prezzo, le compagnie ferroviarie sono tenute a vendere i biglietti per tutti i servizi in modo imparziale.

Network Rail possiede e gestisce l'infrastruttura ferroviaria in Gran Bretagna (binari, ponti, gallerie, segnaletica e alcune delle principali stazioni ferroviarie) e non gestisce treni passeggeri.

In generale il sabato e la domenica viene effettuato un orario diverso dei servizi rispetto a quello operato nei giorni feriali. I servizi potrebbero essere ridotti durante i giorni festivi. Nessun servizio è operante durante il giorno di Natale e pochissimi servizi funzionano il giorno di Santo Stefano (il giorno festivo dopo il giorno di Natale).

Guida per i visitatori in Gran Bretagna che utilizzano i servizi FIP

Disponibilità dei servizi FIP utilizzando le compagnie ferroviarie in Gran Bretagna

I servizi FIP sono disponibili presso:

- tutte le compagnie ferroviarie in franchising e concessionari di cui all'appendice A
- le compagnie ferroviarie ad accesso aperto indicate nell'appendice B

I servizi FIP **non** sono disponibili su:

- le compagnie ferroviarie ad accesso aperto indicate nell'appendice C
- altri operatori che hanno una connessione o operano in prossimità di fornitori di National Rail, come la metropolitana urbana, sistemi di metropolitana leggera e servizi di spedizione, indicati nell'appendice D
- servizi di escursioni e tour in treno che operano occasionalmente sulla rete ferroviaria nazionale

I servizi FIP possono essere utilizzati solo per viaggi di piacere. È vietato utilizzarli per scopi commerciali, di lavoro o pendolarismo a fini lavorativi (residenziali).

National Rail website

National Rail fornisce servizi di pianificazione del viaggio attraverso il sito web nationalrail.co.uk e applicazioni in iOS e Android che possono essere utilizzate per pianificare i viaggi e trovare le tariffe per le compagnie ferroviarie nazionali.

Le tariffe scontate FIP non sono mostrate o vendute sul sito web di National Rail.

Condizioni di trasporto nazionali

I diritti e le eventuali restrizioni di tali diritti per i passeggeri che viaggiano utilizzando i servizi FIP sono coperti dalle Condizioni di trasporto di National Rail. nationalrail.co.uk/nrcot (versione solo in inglese).

Nessuna restrizione all'uso delle strutture FIP.

Un numero ristretto di servizi molto utilizzati non è disponibile per i titolari di strutture di personale ferroviario GB.

Non ci sono restrizioni sui titolari di strutture FIP.

Orari ferroviari

Gli orari stampati sono emessi da ciascuna compagnia ferroviaria che copre i propri servizi. Questi sono normalmente disponibili gratuitamente presso le biglietterie della stazione.

È normale avere pagine separate per i servizi settimanali, i servizi del sabato e i servizi della domenica.

I simboli usati negli orari sono documentati nell'appendice F.

Guida per i visitatori in Gran Bretagna che utilizzano i servizi FIP

FIP voucher in Gran Bretagna

I voucher FIP possono essere utilizzati sui servizi di tutte le compagnie che accettano i servizi FIP, a meno che non siano vietati dalle Restrizioni di trasporto per il personale ferroviario.

I voucher FIP non possono essere utilizzati per il passaggio attraverso le barriere automatiche dei biglietti e devono essere mostrati al personale della stazione per ottenere l'accesso ai binari.

Alcuni servizi suburbani, pendolari e in aree rurali non prevedono posti in 1a classe.

Biglietti scontati a tariffa ridotta internazionale (FIP Card) in Gran Bretagna

In generale, i biglietti sono messi a disposizione per l'acquisto dalle compagnie che operano nelle ferrovie, 12 mesi prima della data del viaggio.

I biglietti scontati possono essere ottenuti presentando la carta FIP e il passaporto come documento d'identità di supporto, presso le biglietterie presenti nelle stazioni.

I biglietti scontati FIP non vengono emessi sui treni ad eccezione di alcune aree rurali in cui i biglietti sono emessi solo sui treni ("treni a pagamento"). Al di fuori di queste aree, i titolari di una carta FIP che salgono a bordo di un treno senza biglietto possono essere obbligati ad acquistare un biglietto intero e a pagare un sovra prezzo. Presso le stazioni che mostrano avvisi che confermano che è in vigore uno schema di sanzioni, i biglietti devono essere acquistati prima di salire su un treno, altrimenti potrebbe essere emesso un avviso di sanzione con la persecuzione in Tribunale..

I biglietti scontati FIP non possono essere acquistati nei distributori automatici di biglietti della stazione o presso rivenditori online.

Molti servizi suburbani, pendolari e aree rurali non prevedono posti in 1a classe, anche su rotte dove sono disponibili tariffe di 1a classe.

I biglietti scontati possono essere utilizzati presso le barriere automatiche di biglietteria presenti nelle stazioni.

Convalida e controllo del biglietto

I biglietti sono validi nei giorni di viaggio stampati sui biglietti.

Non è richiesto ai passeggeri di auto-convalidare i biglietti scontati FIP prima di viaggiare utilizzando apparecchiature di stampaggio basate sulla piattaforma (es. compositi).

È possibile che i biglietti debbano essere presentati o inseriti in barriere automatiche per accedere ai binari della stazione.

Guida per i visitatori in Gran Bretagna che utilizzano i servizi FIP

Gli ispettori dei biglietti e gli ispettori a protezione delle entrate presso i binari possono timbrare o ritirare i biglietti ispezionati a bordo dei treni. Un passaporto valido che corrisponda al nome sulla carta FIP deve essere presentato come identificativo di supporto.

I biglietti inseriti nelle barriere automatiche all'ultimo punto di un viaggio, potrebbero essere trattenuti dal sistema delle barriere, a seconda della configurazione della barriera.

Tipi di biglietti disponibili per lo sconto FIP

La carta FIP offre generalmente uno sconto del 50% su determinati tipi di biglietti.

Il personale in servizio, compresi i coniugi e i figli a carico, delle ferrovie nazionali belghe (NMBS / SNCB) e francesi (SNCF) ha diritto a uno sconto del 75%.

Il personale in servizio e in pensione, compresi i coniugi e i figli a carico, di Irish Rail (CIE) e Northern Ireland Railways (NIR) beneficiano di uno sconto del 75%.

Ci sono cinque categorie principali di biglietti in Gran Bretagna (esclusi i biglietti per i treni notturni). Solo alcuni sono idonei per lo sconto FIP. La biglietteria consiglierà il biglietto più consono nel momento in cui si è in grado di confermare il viaggio che si intende effettuare.

Biglietti senza limitazioni di tempo (Anytime)

Biglietti singoli e di ritorno disponibili in 1a classe e in classe Standard. Questi biglietti possono essere acquistati in anticipo rispetto alla data di viaggio pianificata.

I biglietti a distanza breve sono validi solo per 1 giorno. Sui biglietti a lunga distanza il biglietto singolo è solitamente valido per 2 giorni, la parte di ritorno è solitamente valida per 5 giorni, mentre il ritorno è generalmente valido per 1 mese. Non ci sono restrizioni di orario nel giorno del viaggio.

Come regola generale, i biglietti a distanza breve sono solitamente per viaggi fino a 40 miglia (64 km).

Il viaggio può essere concluso in una o entrambe le direzioni di andata o ritorno fintanto che il viaggio è completato entro il periodo di validità indicato nel biglietto.

Le prenotazioni possono essere effettuate gratuitamente al momento dell'acquisto per i "biglietti senza limitazioni di tempo (Anytime)". Le prenotazioni non possono normalmente essere effettuate il giorno del viaggio.

Sono disponibili gli sconti FIP.

Biglietti con esclusione ore di punta (Off-Peak)

Biglietti singoli e di ritorno disponibili in 1a classe e in classe Standard. Questi biglietti possono essere acquistati in anticipo rispetto alla data di viaggio pianificata.

Guida per i visitatori in Gran Bretagna che utilizzano i servizi FIP

I biglietti a distanza breve sono validi solo per 1 giorno. Sui biglietti a lunga distanza il biglietto singolo è solitamente valido per 2 giorni, la parte di ritorno è solitamente valida per 5 giorni, mentre il ritorno è generalmente valido per 1 mese.

Come regola generale, i biglietti a distanza breve sono solitamente per viaggi fino a 40 miglia (64 km).

Questi biglietti sono soggetti a restrizioni sull'orario in cui possono essere utilizzati. I biglietti non sono normalmente validi nelle ore di punta del mattino e talvolta non sono validi anche nelle ore di punta della sera. Le restrizioni temporali sono indicate da un codice di 2 caratteri stampato sul biglietto. I dettagli per ciascun codice di restrizione sono mostrati su nationalrail.co.uk/xx (le pagine del sito web disponibili solo nella versione in inglese) dove xx = codice di restrizione stampato sul biglietto.

Alcuni “biglietti con esclusione ore di punta (Off-Peak)” non consentono viaggi con interruzione. Si prega di verificare presso la stazione al momento dell'acquisto del biglietto se è necessario fare un viaggio che preveda una interruzione.

Le prenotazioni possono essere effettuate gratuitamente per l'acquisto di “biglietti con esclusione ore di punta (Off-Peak). Le prenotazioni non possono normalmente essere effettuate il giorno del viaggio.

Sono disponibili gli sconti FIP.

Acquisto biglietti in anticipo (Advance)

Si tratta di biglietti singoli non rimborsabili, a prezzo controllato con prenotazione obbligatoria e di solito acquistati almeno il giorno prima del viaggio.

Possono essere scambiati prima del viaggio per un biglietto con maggiore flessibilità (Biglietti con esclusione ore di punta / Off-Peak o Biglietti senza limitazioni di tempo / Anytime) dietro il pagamento di una commissione amministrativa.

Questi sono i biglietti più economici disponibili e possono essere anche più economici di “Biglietti con esclusione ore di punta / Off-Peak” o “Biglietti senza limitazioni di tempo / Anytime” in cui è applicato uno sconto FIP, se si è in grado di pianificare il viaggio in anticipo.

I biglietti acquistati in anticipo sono validi solo per la data e per il / i servizio / i e per il treno indicato sul (i) biglietto (i). Il viaggio può includere viaggi su alcuni servizi di treni suburbani, pendolari e aree rurali dove i posti non sono prenotabili. Se questo è il caso, occorre viaggiare sul treno specificato nella prenotazione, ma non ci sarà un posto specifico prenotato.

L'interruzione del viaggio non è consentita.

Gli sconti FIP non sono disponibili sui biglietti acquistati in anticipo (Advance).

Rovers e Rangers

Viaggio illimitato all'interno di un'area specifica per un periodo definito. Ci possono essere alcune restrizioni temporali su quando è possibile viaggiare.

Guida per i visitatori in Gran Bretagna che utilizzano i servizi FIP

Per l'elenco dei prodotti disponibili, visita nationalrail.co.uk/rovers (le pagine del sito web sono disponibili solo in inglese).

Gli sconti FIP sono disponibili su alcuni Rovers and Rangers.

Abbonamenti e biglietti per le zone di Londra

Viaggio illimitato tra due stazioni per uno specifico periodo o all'interno delle zone di Londra indicate per uno specifico periodo.

Gli sconti FIP non sono disponibili.

Clieni con disabilità

Ci sono sconti sulle tariffe per un accompagnatore che accompagna un cliente con determinate disabilità. Puoi chiedere questi sconti a una stazione se stai utilizzando le tue strutture FIP e il tuo compagno non ha strutture FIP.

Se hai un documento ufficiale rilasciato nel tuo paese d'origine che conferma che sei registrato come cieco o ipovedente, devi esibirlo quando acquisti il biglietto e quando viaggi. Puoi quindi chiedere uno sconto sulla tariffa per adulti per un compagno. Non ci sono sconti sulle tariffe per bambini.

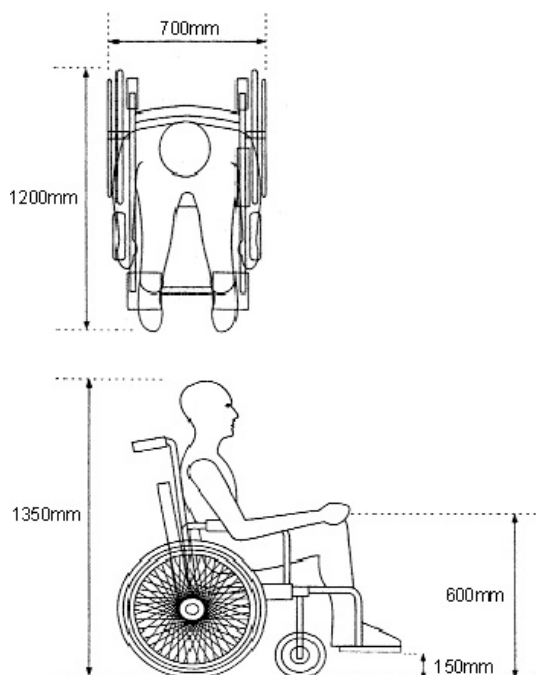
I passeggeri non vedenti, ipovedenti o non udenti possono viaggiare con un cane da assistenza e il cane può viaggiare gratuitamente. Tuttavia, i cani devono essere sempre al guinzaglio e non possono viaggiare sui posti. I cani di assistenza sono ammessi in auto a buffet e ristorante, e possono anche viaggiare in posti letto a condizione che la compagnia ferroviaria abbia un preavviso di 48 ore.

Se hai bisogno di stare sulla tua sedia a rotelle durante un viaggio, puoi chiedere uno sconto sulle tariffe per adulti o bambini per un accompagnatore. Non è necessario un Railcard per disabili. Gli sconti sono illustrati sul sito Web delle persone disabili Railcard (solo in inglese) all'indirizzo: disabledpersons-railcard.co.uk/using-your-railcard/other-discounts/

La maggior parte dei treni può ospitare sedie a rotelle che soddisfano i regolamenti governativi per il trasporto pubblico (700 mm di larghezza per 1200 mm di lunghezza). Un piccolo numero di treni più vecchi accetta solo sedie a rotelle con una larghezza massima di 550 mm.

Per consentire alle sedie a rotelle di salire e scendere dai treni, la maggior parte dei treni richiede rampe portatili da posizionare tra la piattaforma e il treno. Ci sono un numero limitato di spazi disponibili per gli utenti di sedie a rotelle su ciascun treno. È obbligatorio prenotare in anticipo l'assistenza se si viaggia su una sedia a rotelle.

Guida per i visitatori in Gran Bretagna che utilizzano i servizi FIP



Le sedie a mobilità elettrica sono disponibili in un'ampia varietà di design. Molti hanno problemi sui treni, tra cui: ribaltamento delle rampe; essere più pesante di quello che trasporta la rampa; o non essere in grado di manovrare in sicurezza all'interno di una carrozza. Alcune aziende hanno treni che non possono trasportare sedie motorizzate.

I clienti che necessitano di assistenza per salire e scendere dai treni devono contattare l'appropriata compagnia ferroviaria prima del giorno di viaggio per assicurarsi che l'assistenza richiesta sia prenotata. Un'alternativa è completare il modulo di viaggio assistito (solo in inglese) all'indirizzo: disabledpersons-railcard.co.uk/using-your-railcard/passenger-assist/

Prenotazioni

Le prenotazioni dei posti sono disponibili sulla maggior parte dei treni interurbani di lunga percorrenza. Solitamente non sono disponibili nei servizi di periferia, pendolari o aree rurali. Di norma devono essere prenotati prima del giorno di viaggio.

Le prenotazioni dei posti possono essere effettuate gratuitamente quando si prenota un biglietto "Biglietti senza limitazioni di tempo / Anytime" o "Biglietti con esclusione ore di punta / Off-Peak". Riservare una prenotazione del posto non obbliga a viaggiare su uno specifico treno, ma è obbligatorio cancellare una prenotazione se non si intende usarla. È possibile modificare gratuitamente una prenotazione del posto presso la biglietteria nel caso in cui ci fossero modifiche nel viaggio.

Le prenotazioni dei posti sono incluse nei biglietti acquistati in anticipo e sono valide solo per la data e il / i servizio / i su treni indicati sul (i) biglietto (i).

Le prenotazioni dei posti possono essere effettuate presso la biglietteria se si possiede un biglietto Rovers e Rangers o voucher FIP.

Guida per i visitatori in Gran Bretagna che utilizzano i servizi FIP

Le prenotazioni per posti letto sono obbligatorie.

Biciclette

La maggior parte delle compagnie ferroviarie consente il trasporto di biciclette. Lo spazio è limitato. Talvolta è necessario pagare una tassa e prenotare per il posto biciclette. Di solito è necessario mettere la bicicletta in una zona specifica del treno che potrebbe non essere vicino al sedile. Per i dettagli si consiglia di chiedere presso l'ufficio di prenotazione dei biglietti.

Bagaglio

Articoli che possono essere trasportati gratuitamente:

- 2 articoli di bagaglio, articoli o strumenti musicali non più grandi di 90 x 70 x 30 cm e non superiori a 50 kg totali.
- 1x oggetto aggiuntivo di bagaglio a mano che deve essere in grado di essere tenuto in grembo del passeggero, se necessario
- Passeggino o lettino per bambini che devono essere piegati
- Sedie a rotelle manuali e motorizzate. A meno che non siano in uso, devono essere ripiegati e conservati nell'area designata per le sedie a rotelle.

Oggetti ammessi a discrezione delle società operative del treno:

- Articoli da bagaglio aggiuntivi, articoli o strumenti musicali oltre 30 x 70 x 90 cm
- Canoe, tavole a vela, sci e tavole da sci
- Tavole da surf - (solo nel furgone dei bagagli sui servizi della Great Western Railway da Londra a Newquay, St. Ives, Penzance e Barnstaple.
- Attrezzature sportive tra cui mazze da golf
- Pistole scaricate

Articoli non consentiti:

- Mobili di dimensioni superiori a 30 x 70 x 90 cm.
- Motocicli, ciclomotori e motorini
- Merci pericolose: liquidi infiammabili, esplosivi
- Pistole e armi da fuoco caricate

Rimborsi

I biglietti Anytime, Off-Peak, Rovers e Ranger non più necessari possono essere richiesti per il rimborso prima della data di partenza.

Le richieste di rimborso devono essere presentate alla compagnia ferroviaria da cui è stato acquistato il biglietto. Il rimborso può essere richiesto presso la biglietteria della stazione. Le spese amministrative ammontano a un massimo di £ 10 per biglietto.

I biglietti acquistati in anticipo (Advance) non sono rimborsabili.

Guida per i visitatori in Gran Bretagna che utilizzano i servizi FIP

Abbonamenti e biglietti per le zone di Londra

Transport for London (TfL) è l'ente governativo locale responsabile per la maggior parte (ma non tutti) dei servizi di trasporto su Londra. E' operante su gli autobus di Londra, la metropolitana di Londra (Tube), tram di Londra, Docklands Light Railway (DLR), London Overground, ferrovia TfL, funivia Emirates Air Line e alcuni servizi in barca sul fiume Tamigi.

Elizabeth Line

La Elizabeth Line è una concessione di National Rail. I servizi FIP sono disponibili su i servizi ferroviari gestiti da TfL. Non ci sono biglietterie nelle stazioni tra London Paddington e Abbey Wood.



London Overground

La London Overground è una concessione di National Rail. I servizi FIP sono validi sui servizi della London Overground.



Autobus di Londra, Docklands Light Railway, Trams di Londra, IFS cloud Funivia e servizi di navigazione sul fiume Tamigi

I servizi FIP non sono disponibili su Autobus di Londra, Docklands Light Railway, Trams di Londra, IFS cloud Funivia e servizi di navigazione sul fiume Tamigi.

London Underground

I servizi FIP non sono disponibili sulla metropolitana di Londra con le seguenti eccezioni.



i biglietti per l'uso dei treni Nazionali che richiedono il trasferimento di un passeggero da una stazione terminale di Londra a un'altra, possono utilizzare i servizi della metropolitana di Londra solo tra quelle stazioni terminali di Londra. L'interruzione del viaggio nelle stazioni intermedie della metropolitana di Londra non è consentita.

i biglietti che possono essere utilizzati sulla metropolitana di Londra per il trasferimento tra un terminal ferroviario di Londra e un altro, sono contrassegnati con ✠ (croce maltese) o † (pugnale).

Stazioni terminali di Londra

Alcuni biglietti per Londra hanno un prezzo per uno specifico terminal di Londra (come la stazione di Kings Cross). Altri biglietti per Londra hanno un prezzo per un gruppo chiamato London Terminals. La dicitura London Terminals può essere stampata sui biglietti come Stazione di partenza o Stazione di destinazione.

Guida per i visitatori in Gran Bretagna che utilizzano i servizi FIP

Ci sono 18 stazioni all'interno del gruppo London Terminals: Blackfriars, Cannon Street, Charing Cross, City Thameslink, Euston, Fenchurch Street, Kings Cross, Liverpool Street, London Bridge, Marylebone, Moorgate, Old Street, Paddington, St Pancras, Vauxhall, Victoria, Waterloo, Waterloo East.

I biglietti da o per le stazioni terminali di Londra sono generalmente disponibili per alcune delle stazioni del gruppo sopra elencate, da cui è possibile viaggiare da o verso con i servizi di National Rail su un percorso ragionevolmente diretto. Non sono disponibili per l'uso sulla metropolitana di Londra da o verso altre stazioni terminali di Londra.

Se desideri recarti a una stazione inclusa nei London Terminals che prevede l'utilizzo della metropolitana di Londra, il biglietto dovrebbe mostrare una stazione di partenza o una stazione di destinazione della zona U1 per consentire i viaggi con l'uso della metropolitana di Londra nella zona 1.

Per chiarimenti su quali stazioni London Terminals è possibile utilizzare per un viaggio specifico, si prega di informarsi presso la biglietteria al momento dell'acquisto del biglietto.

Servizi notturni

Ci sono due compagnie in franchising che provvedono ai servizi notturni in Gran Bretagna. I biglietti scontati FIP che includono le prenotazioni di posti in cuccetta devono essere acquistati contattando direttamente la compagnia ferroviaria.

Per i titolari di voucher FIP i posti cuccetta possono essere acquistati presso la biglietteria della stazione. Su tutti i servizi dormienti, è possibile iniziare il viaggio la sera prima della data inserita nella casella del coupon FIP. ⁴

Le prenotazioni per i posti in cuccetta sono obbligatorie per tutti i servizi notturni e i supplementi per le cuccette devono essere pagati in anticipo. È inoltre disponibile un servizio di sedile notturno.

⁴ {Source RST Ref 90-011-032/D7602INC}

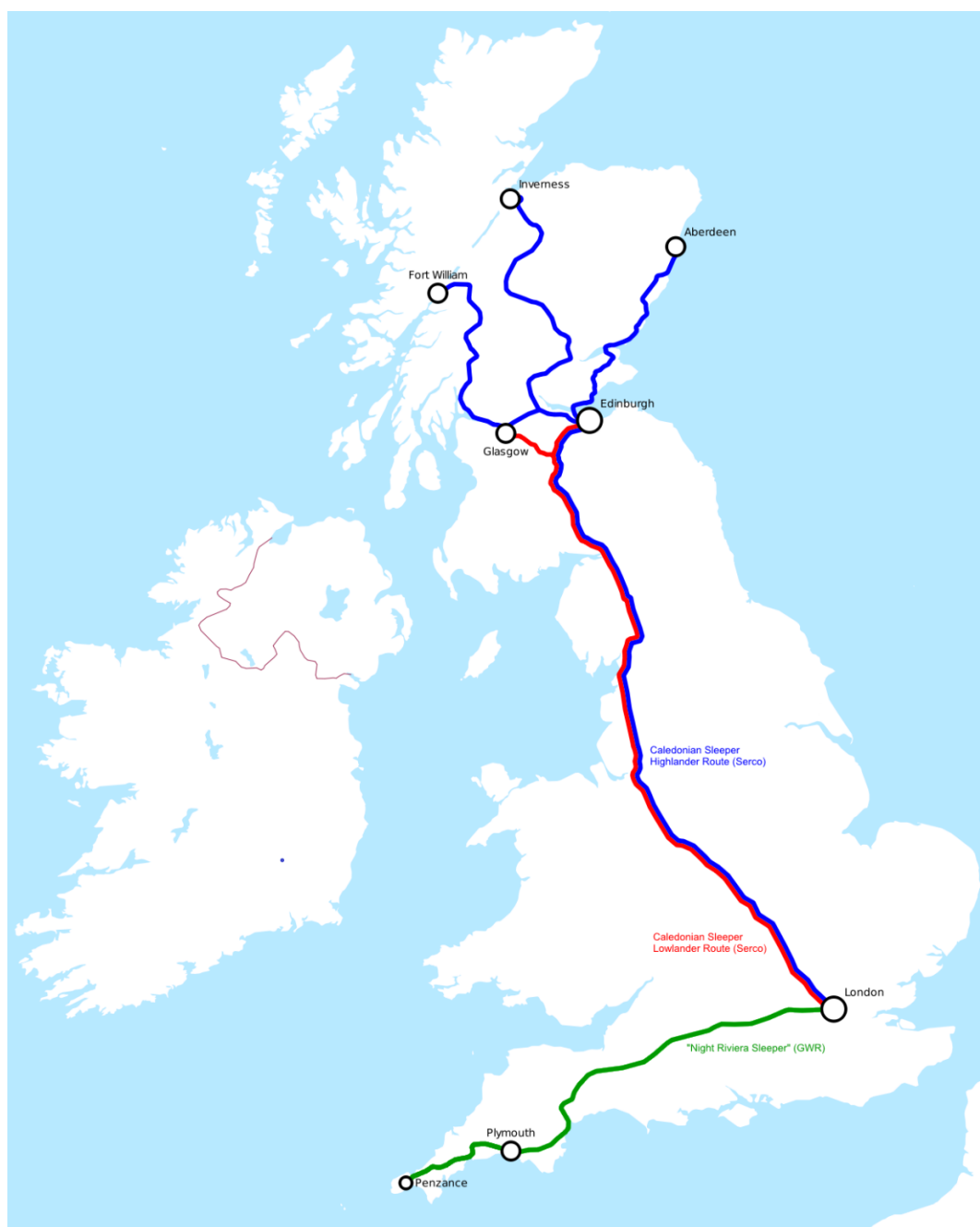


Figure 4 - Servizi notturni in Gran Bretagna

Caledonian Sleeper - Londra alla Scozia

La compagnia Caledonian Sleeper gestisce due servizi notturni tra Londra Euston e varie località in Scozia con partenze da domenica a venerdì notte inclusi:

- La (Lowland) Caledonian Sleeper che opera tra Londra Euston, Glasgow ed Edimburgo (il treno si divide / si unisce in due durante il tragitto).
- La (Highland) Caledonian Sleeper, che opera tra Londra Euston e Aberdeen, Inverness e Fort William (il treno si divide / si unisce in tre durante il tragitto). Quando operano in tre sezioni in Scozia, i treni delle Highland si fermano in molte delle stazioni intermedie.



**CALEDONIAN
SLEEPER**

Guida per i visitatori in Gran Bretagna che utilizzano i servizi FIP

Great Western Railway - Londra alla Cornovaglia

La compagnia Great Western Railway gestisce il servizio chiamato Night Riviera con partenze da domenica a venerdì compresi, tra Londra Paddington e Penzance con scalo nelle principali stazioni nel Devon e in Cornovaglia.



Viaggia verso l'isola di Wight

Le tariffe scontate FIP non sono valide sui servizi di traghetto per l'Isola di Wight. Se viaggi verso le stazioni ferroviarie sull'isola di Wight avrai bisogno di tre biglietti; Biglietto scontato FIP per i viaggi in treno sulla terraferma, biglietto a tariffa pubblica per attraversare Wightlink da Portsmouth a Ryde Pier Head e biglietto scontato FIP per i viaggi in treno sull'isola di Wight.

Fotografie e riprese nelle stazioni

Network Rail e tutte le società ferroviarie britanniche danno il benvenuto nelle loro stazioni a tutti gli appassionati delle ferrovie. Le fotografie sono consentite solo per uso non commerciale. L'utilizzo del flash è vietato, così come lo sono le fotografie di apparecchiature di sicurezza come le telecamere CCTV.

Per evitare sospetti, coloro che intendono effettuare fotografie per uso personale dovrebbero informare il personale della stazione delle loro intenzioni. A seconda delle operazioni quotidiane o di sicurezza richieste in stazione, è possibile che venga richiesto di spostarsi in un'altra parte della stazione o di abbandonare del tutto la stazione.

Alcune delle stazioni più grandi sono gestite da Network Rail. Tutte le stazioni rimanenti sono gestite da diverse compagnie ferroviarie.

La policy sulle fotografie e sulle riprese nelle stazioni gestite da Network Rail può essere trovata qui networkrail.co.uk/communities/railway-enthusiasts/railway-enthusiasts-and-photography-at-stations/

La lista delle stazioni gestite da Network Rail può essere trovata qui networkrail.co.uk/communities/passengers/our-stations/

La policy sulle fotografie e sulle riprese per le altre stazioni che sono parte della rete nazionale ferroviaria può essere trovata qui www.nationalrail.co.uk/travel-information/guidance-for-rail-enthusiasts

Offerte 2FOR1 per i possessori del biglietto National Rail

Molte attrazioni per il tempo libero e turistiche offrono due biglietti d'ingresso per adulti al prezzo di uno quando si viaggia in treno. Informazioni in inglese possono essere trovate a daysoutguide.co.uk



Tower of London



2FOR1



Landmarks & Historical Sites

Admission: Adult: £29.50**Offer expires:** 30/04/2019**Location:** Tower Hill, London EC3N 4AB**Phone number:** 0844 482 7777**Nearest station:** London Fenchurch Street****2FOR1 offer not valid 13 - 22 April 2019*******Price subject to change 1 March 2019***

Journey details

People

How many visitors?

Date 

When are you going?

Station 

Starting train station?

GET VOUCHER

Usando il sito web scegli l'attrazione che vuoi visitare. Scarica e stampa i tuoi voucher. Viaggia in treno all'attrazione. Presenta il voucher e il biglietto del treno per ottenere uno sconto sulla quota di ammissione.

Lo sconto sulla quota di ammissione è disponibile se viaggi con biglietti scontati FIP acquistati utilizzando la carta tariffa ridotta internazionale FIP. Non è disponibile se viaggi gratuitamente utilizzando i coupon FIP.

Ferrovia turistica

Alcune ferrovie turistiche offrono uno sconto ai titolari della Biglietti scontati a tariffa ridotta internazionale (FIP Card). Lo sconto offerto è del 50% sulla tariffa intera per adulti pubblici. Si tratta di un accordo non contrattuale offerto attraverso l'avviamento di ciascuna ferrovia e può essere ritirato in qualsiasi momento.

Le ferrovie turistiche utilizzano orari stagionali e giorni ordinari e giorni di eventi speciali. Lo sconto FIP potrebbe non essere disponibile in giorni di eventi speciali. Il sito web di ogni ferrovia avrà un calendario e un orario che mostra i servizi offerti.

Guida per i visitatori in Gran Bretagna che utilizzano i servizi FIP

Quasi tutte le compagnie ferroviarie in Gran Bretagna hanno abolito la sistemazione di 2a classe tra il 1875 e il 1910 e hanno offerto solo la 1a classe e la 3a classe fino al 1956. Molte ferrovie turistica non offrono alloggi di 2a classe in riconoscimento di questa storia.

Per ulteriori informazioni, vedere l'appendice E.

Museo Nazionale delle Ferrovie

Il Museo Nazionale delle Ferrovie ha due sedi:

- Il museo principale è adiacente alla stazione ferroviaria di York. railwaymuseum.org.uk
- Un museo secondario adiacente alla stazione ferroviaria di Shildon chiamato *Locomotion* locomotion.org.uk

L'ingresso ad entrambi i musei è gratuito, anche se i visitatori sono incoraggiati a fare una donazione volontaria.

Problemi e reclami

Se hai un problema con le strutture FIP in Gran Bretagna, dovresti innanzi tutto sollevare il problema con il TOC in questione. I dettagli su come contattare ogni TOC possono essere trovati sui loro siti web.

Se il tuo reclamo rimane irrisolto, allora dovresti sollevare il tuo reclamo presso il Ombudsman ferroviario indipendente. Dettagli su come farlo sono sul loro sito web railombudsman.org

Guide for visitors to Great Britain using FIP facilities

Appendix A – Franchised and Concessionary operators

Maps/Plans/Karten/Mappe: nationalrail.co.uk/stations_destinations/maps.aspx

Franchised and Concessionary operators on which FIP facilities are available.

Opérateurs franchisés et concessionnaires sur lesquels des installations FIP sont disponibles.

Franchise- und Konzessionsbetreiber, für die FIP-Einrichtungen zur Verfügung stehen.

Operatori in franchising e concessioni su cui sono disponibili le strutture FIP.

Franchise/Concession	Website
Avanti West Coast	avantiwestcoast.co.uk
C2c	c2c-online.co.uk
Caledonian Sleeper	sleeper.scot
Chiltern Railways	chilternrailways.co.uk
CrossCountry	crosscountrytrains.co.uk
East Midlands Railway	eastmidlandsrailway.co.uk
Elizabeth Line	tfl.gov.uk/tflrail
Gatwick Express	gatwickexpress.com
Great Northern	greatnorthernrail.com
Greater Anglia	greateranglia.co.uk
Great Western Railway	gwr.com
London North Eastern Railway	lner.co.uk
London Overground	tfl.gov.uk/overground
Merseyrail	merseyrail.org
Northern	northernrailway.co.uk
Island Line (Isle of Wight)	southwesternrailway.com
Scotrail	scotrail.co.uk
South Western Railway	southwesternrailway.com
Southeastern Railway	southeasternrailway.co.uk
Southern	southernrailway.com
Stansted Express	stanstedexpress.com
Thameslink	thameslinkrailway.com
TransPennine Express	tpexpress.co.uk
Transport for Wales	tfwrail.wales/homepage
West Midlands Trains operates under two brand names <ul style="list-style-type: none"> • London Northwestern Railway • West Midlands Railway 	westmidlandsrailway.co.uk londonnorthwesternrailway.co.uk

Guide for visitors to Great Britain using FIP facilities

Appendix B – Open access operators – FIP accepted

Private commercial operators on which FIP facilities are available.

Opérateurs commerciaux privés sur lesquels des installations FIP sont disponibles.

Private kommerzielle Betreiber, für die FIP-Einrichtungen zur Verfügung stehen.

Operatori commerciali privati su cui sono disponibili le strutture FIP.

Operator	Website	
Grand Central	grandcentralrail.com	
Heathrow Express	heathrowexpress.com	
Hull Trains	hulltrains.co.uk	
Lumo East Coast	www.lumo.co.uk	London Kings Cross to Stevenage, Newcastle, Morpeth, Edinburgh, Glasgow Queen Street
Lumo West Coast	www.lumo.co.uk	London Euston to Milton Keynes, Nuneaton, Crewe, Preston, Carlisle, Lockerbie, Motherwell, Whifflet, Greenfaulds, Larbert and Stirling.

Appendix C – Open access operators – FIP not accepted

Private commercial operators on which FIP facilities are not available.

Opérateurs commerciaux privés sur lesquels aucune installation FIP n'est disponible.

Private kommerzielle Betreiber, für die keine FIP-Einrichtungen zur Verfügung stehen.

Operatori commerciali privati su cui non sono disponibili le strutture FIP.

Operator	Website	

Appendix D – Other operators – FIP not accepted

Other transport operators on which FIP facilities are not available.

Autres opérateurs de transport pour lesquels les installations FIP ne sont pas disponibles.

Andere Transportunternehmen, für die keine FIP-Einrichtungen zur Verfügung stehen.

Altri operatori di trasporto su cui non sono disponibili le strutture FIP.

Guide for visitors to Great Britain using FIP facilities

- Blackpool Tramway
- Caledonian MacBrayne Ferries
- Docklands Light Railway
- Edinburgh Tramway
- Glasgow Subway
- Hovertravel (Southsea, Portsmouth to Ryde, Isle of Wight)
- London Underground (see Travelling around and across London)
- Midland Metro (Birmingham to Wolverhampton)
- Nottingham Express Transit
- Sheffield Supertram
- London Trams (formerly Croydon Tramlink)
- Transport for Greater Manchester
- Tyne and Wear Metro
- Wightlink ferry (Portsmouth Harbour to Ryde Pier Head station, Isle of Wight)

Appendix E – Heritage railways – FIP accepted

Heritage Railways. If travelling with children, the railway may offer family tickets which are better value than using FIP discounted adult tickets for children.

The table below shows the connections from the nearest National Rail stations. It is only possible to start your journey from other stations on the Heritage Railway which have ticket office facilities.

Where operators provide rail and boat services, the discount is only available on rail services, unless otherwise indicated.

Chemin de fer touristique. *Excepté le village de tramway de Crich, pour tous les détenteurs de carte FIP, y compris les enfants, le rabais FIP correspond à 50% du tarif adulte. Si vous voyagez avec des enfants, le chemin de fer peut proposer des billets familiaux d'un meilleur rapport qualité-prix que des billets à tarif réduit FIP pour adultes pour enfants.*

Le tableau ci-dessous montre les liaisons depuis les gares nationales les plus proches. Il est uniquement possible de commencer votre voyage à partir d'autres gares de la ligne de chemin de fer touristique disposant d'un guichet.

Lorsque les opérateurs fournissent des services de transport ferroviaire et par bateau, la réduction n'est disponible que sur les services ferroviaires, sauf indication contraire.

Museumsbahn. *Wenn Sie mit Kindern reisen, bietet die Bahn möglicherweise Familientickets an, die günstiger sind als FIP-ermäßigte Erwachsenentickets für Kinder.*

Die folgende Tabelle zeigt die Verbindungen von den nächstgelegenen Bahnhöfen von National Rail. Sie können Ihre Reise nur von anderen Stationen der Museumsbahn starten, die über ein Ticketschalter verfügen.








Guide for visitors to Great Britain using FIP facilities

Wenn Betreiber Eisenbahn- und Schiffsdienste anbieten, gilt der Rabatt nur für den Schienenverkehr, sofern nichts anderes angegeben ist.

Ferrovia turistica. Se viaggia con bambini, la ferrovia può offrire biglietti per famiglie che hanno un valore migliore rispetto all'utilizzo di biglietti adulti scontati per i bambini.

La tabella seguente mostra i collegamenti dalle stazioni ferroviarie nazionali più vicine. È possibile iniziare il viaggio solo da altre stazioni della ferrovia turistica con servizi di biglietteria.

Laddove gli operatori forniscano servizi ferroviari e marittimi, lo sconto è disponibile solo sui servizi ferroviari, salvo diversa indicazione.

Heritage Railway	Nearest National Rail station	Offer	Connection to the Heritage Railway
Ffestiniog and Welsh Highland Railway ⁵ festrail.co.uk	Bangor 	75%	Bus: Bangor Railway Station (Stop H) 15.5 km (30 min) Arriva Buses 5C → Caernafon Bus Station (Stand A). Walk: 500 m (4 min) → Caernafon railway station
	Blaenau Ffestiniog 		Same station. National Rail on platform 1. Cross footbridge for Ffestiniog railway.
	Minffordd 		Walk: 50 m (1 min): → Minffordd Ffestiniog Railway
	Porthmadog 		Walk: 1 km (13 min): → Porthmadog Ffestiniog Railway
Isle of Wight Steam Railway ⁶ iwsteamrailway.co.uk	Smallbrook Junction ⁷ 	50%	Walk: 25 m (1 min): → Smallbrook Junction station (IoWSR)
Kent and East Sussex Railway ⁸ kesr.org.uk	Ashford International 	50%	Bus: Ashford International: 20 km (45-55 min) bus 2 or 2A → Tenterden Town Centre (The Vine) Walk: 250 m (3 min) → Tenterden Town Station
	Headcorn 		Bus: Headcorn: 15 km (25 min) bus 12 or 12RL → Tenterden Town Centre (The Vine) Walk: 250 m (3 min) → Tenterden Town Station

⁵ (Source: RST Ref: 90-035-405/D7762INC)

⁶ (Source: RST Ref: 90-035-031/D7594INC)

⁷ No road vehicle access. Only a foot passenger interchange between National Rail services provided by Island Line and the Isle of Wight Steam railway.

⁸ (Source: RST Ref: 90-035-031/D7636INC)

Guide for visitors to Great Britain using FIP facilities

Heritage Railway	Nearest National Rail station	Offer	Connection to the Heritage Railway
Llanberis Lake Railway ⁹ lake-railway.co.uk	Bangor ➡	50%	Bus 15 km (50 mins): Bangor Railway Station (Stop H) bus 85 or 86 ¹⁰ ➔ Llanberis Interchange Walk 60 m (1 min): ➔ Llanberis station (LLR)
National Tramway Museum (Crich Tramway Village) ¹¹ tramway.co.uk	Matlock ➡	2 people for the price of 1	Bus 11 km (32 mins) Matlock Railway Station (bay 2) bus 140 or 141 ➔ Crich Tramway Museum
	Whatstandwell ➡		Walk 2.2 km (35 mins) ➔ Crich Tramway Museum
Talylyn Railway Company ¹² talylyn.co.uk	Twywn ➡	50%	Walk 350 m (4 mins) ➔ Wharf Station

Appendix F – Public timetable symbols

This table lists the common symbols used in the public timetable.

Ce tableau répertorie les symboles communs utilisés dans l'horaire public.

Diese Tabelle enthält die allgemeinen Symbole, die im öffentlichen Zeitplan verwendet werden.

Questa tabella elenca i simboli comuni utilizzati nell'orario pubblico.

Symbol	English	French	German	Italian
a	Arrival time	Heure d'arrivée	Ankunftszeit	Orario di arrivo
d	Departure time	Heure de départ	Abfahrtszeit	Orario di partenza
p	Previous night	Soirée précédente	Vorabend	Sera precedente
s	Stops to set down only	Arrêts pour permettre au passager de descendre seulement	Haltestellen, damit der Passagier nur aussteigen kann	Si ferma per consentire al passeggero di scendere solo
u	Stops to pick up only	Arrêts pour permettre au passager d'embarquer seulement	Haltestellen, um den Passagier nur an Bord zu lassen	Si ferma per consentire al passeggero di salire solo a bordo
x	Stops on request to the guard	Arrêts sur demande à la garde	Stoppt auf Anfrage bei der Wache	Si ferma su richiesta alla guardia
M	Monday	Lundi	Montag	Lunedì
T	Tuesday	Mardi	Dienstag	Martedì
W	Wednesday	Mercredi	Mittwoch	Mercoledì







⁹ (Source: RST Ref: 90-035-031/D7599INC)

¹⁰ www.arrivabus.co.uk/wales/services/85-86---llanberis-to-bangor


¹¹ (Source: RST Ref: 90-035-031/D7619INC)

¹² (Source RST Ref: 90-035-031/D7686INC)

Guide for visitors to Great Britain using FIP facilities

Symbol	English	French	German	Italian
Th	Thursday	Jeudi	Donnerstag	Giovedì
F	Friday	Vendredi	Freitag	Venerdì
S	Saturday	Samedi	Samstag	Sabato
Su	Sunday	Dimanche	Sonntag	Domenica
	A suffix of 'O' means the train runs only on the day or days preceding the 'O'. E.g. FO = Fridays only	Un suffixe «O» signifie que le train ne circule que le jour ou les jours précédant le «O». Par exemple. FO = vendredi uniquement	Ein Suffix „O“ bedeutet dass der Zug nur an dem Tag oder den Tagen vor dem „O“ fährt. Z.B. FO = nur freitags	Un suffisso di "O" indica che il treno funziona solo il giorno oi giorni precedenti alla "O". Per esempio. FO = solo il venerdì
	A suffix of 'X' means the train runs on all days in this section of the timetable except the day or days preceding the 'X'. E.g. SSuX = Not on Saturdays or Sundays.	Un suffixe «X» signifie que le train circule tous les jours de cette section de l'horaire, à l'exception du ou des jours précédant le «X». Par exemple. SSuX = Pas les samedis et les dimanches.	Das Suffix „X“ bedeutet dass der Zug an allen Tagen in diesem Abschnitt des Fahrplans fährt, außer an den Tagen oder Tagen vor dem „X“. Z.B. SSuX = Nicht samstags oder sonntags.	Un suffisso di "X" indica che il treno circola per tutti i giorni in questa sezione dell'orario, ad eccezione del giorno o dei giorni precedenti alla "X". Per esempio. SSuX = Non il sabato o la domenica.
	A wavy line between train times indicates that the train does not run during the full period of the timetable on which the train is shown.	Une ligne ondulée entre les horaires des trains indique que ce train ne circule pas pendant toute la période de l'horaire sur laquelle le train est affiché.	Eine wellenförmige Linie zwischen den Zugzeiten zeigt an, dass dieser Zug nicht während des gesamten Zeitplans fährt, in dem der Zug angezeigt wird.	Una linea ondulata tra i tempi del treno indica che questo treno non funziona durante il periodo completo dell'orario in cui viene mostrato il treno.
BHX	Does not run on Bank Holidays	Ne fonctionne pas les jours fériés	Läuft nicht an Feiertagen	Non funziona nei giorni festivi
	Train continues in a later column in the timetable	Le train continue dans une colonne ultérieure de l'horaire	Der Zug fährt in einer späteren Kolonne im Zeitplan fort	Il treno continua in una colonna successiva nell'orario
	Train continued from an earlier column in the timetable	Le train continuait d'une colonne précédente de l'horaire	Der Zug setzte sich aus einer früheren Kolonne im Zeitplan fort	Il treno è continuato da una colonna precedente nell'orario
	Stations with interchange for London Underground services	Stations avec échange pour London Underground	Stationen mit Austausch für Londoner U-Bahnen	Stazioni con interscambio per i servizi di metropolitana di Londra
10	The minimum change time in minutes to allow between trains at this station. Where no time is shown, the minimum interchange time is 5 minutes.	La durée minimale de changement en minutes à respecter entre les trains dans cette gare. Si aucune heure n'est indiquée, la durée d'échange minimale est de 5 minutes.	Die Mindestwechselzeit in Minuten an, die zwischen den Zügen an diesem Bahnhof zulässig ist. Wenn keine Zeit angezeigt wird, beträgt die Mindestwechselzeit 5 Minuten.	Il tempo minimo di cambio in minuti per consentire tra i treni in questa stazione. Dove non viene mostrato il tempo, il tempo di interscambio minimo è di 5 minuti.
R	Seat Reservations recommended	Réservation de siège recommandée	Sitzplatzreservierung empfohlen	Prenotazione del posto raccomandata
	Seat Reservations compulsory	Réservation obligatoire	Sitzplatzreservierung obligatorisch	Prenotazione del posto obbligatoria
	Seat Reservations available	Réservation de siège disponible	Sitzplatzreservierung möglich	Prenotazione del posto disponibile

Guide for visitors to Great Britain using FIP facilities

Symbol	English	French	German	Italian
	First class available	Hébergement de première classe disponible	Erste Klasse Unterkunft zur Verfügung	Alloggio di prima classe disponibile